



'19 NEXT GENERATION
BUILT-IN APPLIANCES

SILVERLINE

ABOUT SILVERLINE

Silverline is one of the world's leading brands in the production and sales of built-in products. With an annual production volume of 1.2 million units, Silverline exports its products to approximately 70 countries worldwide.

Silverline has proven its reliability after having received numerous prestigious awards in various prominent European design contests. Silverline has received Reddot, Plus X, iF Design, IDA Design and German Design awards in the fields of innovation and design.

Contents

Ovens	8
“Hi” Smart Ovens	16
Multifunction Electric Ovens	18
Static Electric Ovens	28
Gas Ovens	30
Free Standing Cookers	32
Microwave Ovens	36
Hobs	42
Induction Hobs	46
Vitro Ceramic Hobs	48
Glass Built-in Hobs	50
Myflame Hobs	66
Stainless Steel Hobs	68
Freestanding Hobs	74
Hoods	76
Worktop Hoods	82
Suspended Hoods	92
Island Hoods	98
Ceiling Hoods	102
Wall-Mounted Hoods	112
Built-In Hoods	132
Accessories	140
External Motors	142
Remote Control	144
Retro Series	146
Refrigerators	154
Freezer	171
Dishwashers	176
Washing Machine	182





next generation kitchen experience

The dynamics of the age we are living in are our guide. Demand, likes, trends. Our corporate culture is based on the know-how and experience we have accumulated throughout our history. All these values constitute the commitment we represent. Contemporary, far-from-obsolete, innovative products employing the latest technologies and improving quality of life.

our design approach

The kitchens in our living spaces have had different meanings throughout ages. Today, the kitchen is more than just a cooking area in our homes. New urban lifestyles, such as high technology, common area use and high efficiency, have changed the characteristics of kitchens, making them more integrated into our daily lives. Therefore, Silverline offers an approach that focuses on the changes in the meaning and characteristics of the kitchen while creating new design solutions.

Based on sectoral trends in our designs in the cooking appliances line, we looked for new ways that are meaningful and fascinating for the end user, that emphasize the strong stance of the brand in the built-in appliances industry, that are user-centered and are simplified for the user.

silverlinedesignstrategy
simple+



OVENS

The kind of multi-functionality that adds taste to your meals and makes expert cooks envious at the same time is now integrated with a multi-dimensional understanding of design.



SMART SUPPORT

Easy and fast way to access after sales support. It enables quick access for after sales support in case of a problematic issue via mobile application.



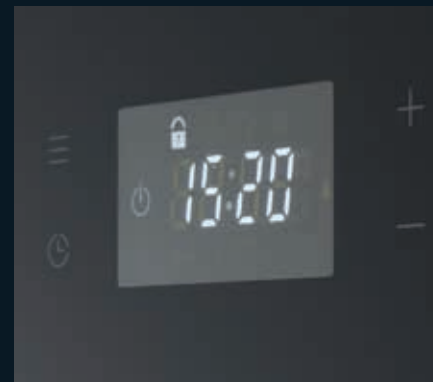
3D AIR FLOW

It provides proper heat distribution for uniform cooking and convenient for cooking up to 3 trays.



AUTOMATIC PROGRAM

Thanks to the automatic cooking programs, the cooking choice is offered automatically according to the type of food.



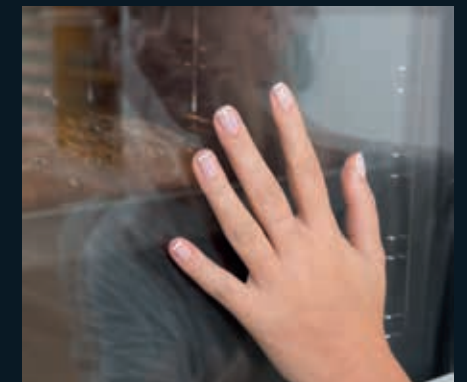
CHILD SCREEN LOCK

No matter what key your child plays on the screen, the settings of your oven can't be changed.



LARGE CAVITY SIZE

It gives flexibility to prepare larger meals with its 72 liter net volume.



COOL DOOR

The reflective glass on the inside of the door significantly reduces the temperature of the outer part of the door at all ovens. So, it provides a safer environment when preparing the delicious meals in the oven.



SOFT CLOSE

It slows down the movement of the door and ensures your oven door closes gently.



SOFT OPEN CLOSE

It slows down the movement of the door and ensures your oven door opens and closes gently.



TELESCOPIC EXTENTION

Allows you to remove trays easily from the oven. This makes usage of trays more convenient and easy to use.



MEAT PROBE

It gives very accurate cooking results by measuring the internal temperature of the food.

Easy Cleaning: It's time for a little magic!

Cleaning the oven can be an easy scrub free task with just a little bit of work. Silverline makes the cleaning of the ovens much easier by offering various cleaning solutions. They prolongs the life of your oven and help you save time every day to make your life easier in your kitchen.



SELF CLEAN +



The quick and easy option for effortless cleaning thanks to catalytic panels. The back and side wall panels absorb dirt that splashes from food.



STEAM CLEAN



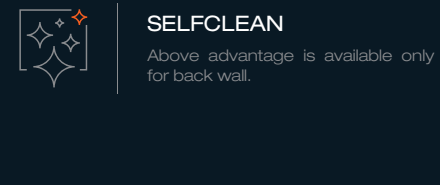
The heat turns water into steam and softens food residuals for easy cleaning.



PYROLYTIC CLEAN

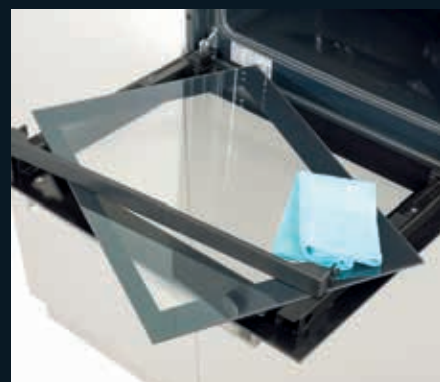


It heats the inside of your oven to temperatures upwards of 480°C, turns food residual to ash.



SELF CLEAN

Above advantage is available only for back wall.



EASY EXTRACT

It enables to remove easily the front glass panels of the oven.



EASY CLEANING

The easy cleaning for day to day maintenance.



ANTI - FINGER INOX

Anti-finger inox surface provides comfort in cleaning.



LEGENDS

OVENS



BOTTOM RESISTANT: To cook something which needs to crisp on the base but stay moist on the top. This function is best suited for foods which need more temperature at the base such as pastry and pizzas and it is great for gently cooking stews and casseroles.



TOP RESISTANT: Top resistant creates the perfect roasting or crisping effect. Helps with the browning of dishes such as those topped with cheese or potatoes, under a less fiery heat than grill.



TOP RESISTANT + BOTTOM RESISTANT: Cooks items which sit in the centre of the oven best. Use this conventional heating mode for roasting meat and vegetables or baking cakes.



TOP RESISTANT + BOTTOM RESISTANT+ FAN: Food is cooked evenly and quickly all around thanks to lower and upper resistants and the fan are simultaneously on. This mode is most suitable for delicate cooking such as cakes, pastries, biscuits.



TOP RESISTANT + GRILL: Food can be cooked extremely quickly using both the top resistant and the grill.



TOP RESISTANT + GRILL + FAN : Top resistant, grill and fan are activated simultaneously, so heat is spread throughout the oven and radiated over the grill's surface area. It is ideal for larger portions.



TOP RESISTANT + FAN + RING HEATER + BOTTOM RESISTANT : Top and bottom resistants, turbo fan and ring heater (located around the turbo fan) are activated simultaneously. It provides proper heat distribution for uniform cooking and convenient for cooking up to 3 trays.



RING HEATER + FAN : It is used for one or more levels cooking and frying. Ring heater and turbo fan are activated.



DEFROST : It ensures that the food defrosts in a couple of minutes without losing its nutritional value.



BOOSTER: The booster function is used for quick pre-heating to reach the desired cooking temperature. (It is not suitable for cooking food.)



GRILL: Grill resistant is used especially for food to be fried.



FAN + BOTTOM RESISTANT : For preparing pizza and dishes which require a lot of heat from underneath. The bottom heating element and the fan are activated.



GRILL + FAN: This indicates the simultaneous activation of the grill and the turbo fan and enables the cooking of small portions of white and red meat, sausage, etc.



GRILL + FAN + BOTTOM RESISTANT : Appropriate for roasts and cakes. The fan spreads the heat uniformly inside the oven.



TURN SPIT (GRILL + SPIT) : It is used for rotisserie such as roasted chicken etc.



TURN SPIT + (TOP RESISTANT + GRILL + SPIT) : It is used for rotisserie such as roasted chicken etc. It is ideal for larger portions.



LIGHT: All ovens have oven lamps but the oven lamp can be activated with an independent button in the models bearing this symbol.



ECO (FAN + RING HEATER) : More energy saving function for one or more levels cooking and frying. Ring heater and turbo fan are activated.



STEAM CLEAN: The heat turns water into steam and softens food residuals for easy cleaning.



PYROLYTIC CLEAN: It heats the inside of your oven to temperatures upwards of 480°C, turns food residual to ash.



KEEP WARM : Used for keeping food warm at a temperature ready for serving for a long period of time.



GRILL + BOTTOM RESISTANT : Special for roasts. It can be used for any piece, whatever its size.



TOP FIRE + BOTTOM FIRE (GAS FURNACE) : Top and bottom elements are activated.



TOP FIRE (GAS FURNACE) : Top element is activated.



BOTTOM FIRE (GAS FURNACE) : Bottom element is activated.



IGNITION (GAS FURNACE) : Automatic ignition for gas area.



“HI” SMART OVENS



S6 - BO6506B01



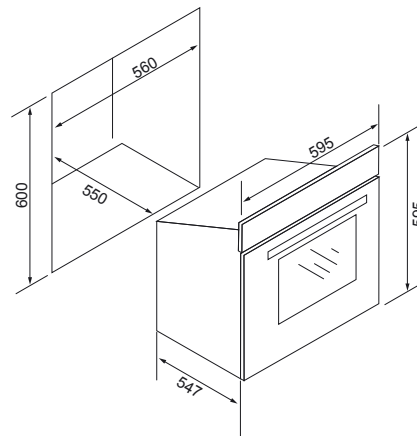
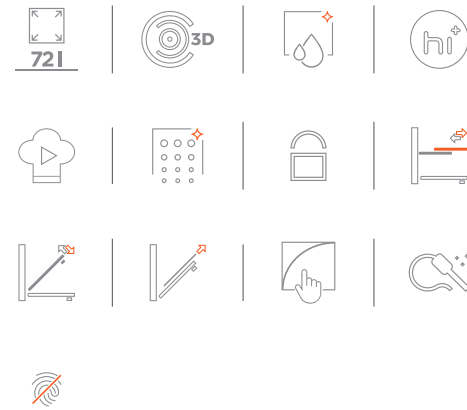
S6 - BO6506W01



S6 - BO6506X01



- 60 cm
- Control panel: Tempered glass (BO6506B01, BO6506W01)
- Control panel: Anti-finger inox (BO6506X01)
- Door panel: Tempered glass
- 13 cooking functions
- Endless ring navigator knob control
- Full HD display touch control
- Screen child lock
- Rapid pre-heating
- Removable side racks
- 3 telescopic rails
- Grill, thermostat, turbo fan
- Cooling fan
- 2 oven lights
- 1 chrome grid, 1 deep and 1 standard tray
- 72 l net volume
- A+ / A energy class
- Meat probe which enables to measure the meat's cooking degree
- Eco mode for energy saving
- Keep warm function
- Automatic cooking programs
- Quadruple glass door



MULTIFUNCTION ELECTRIC OVENS



S5 - BO6505B01



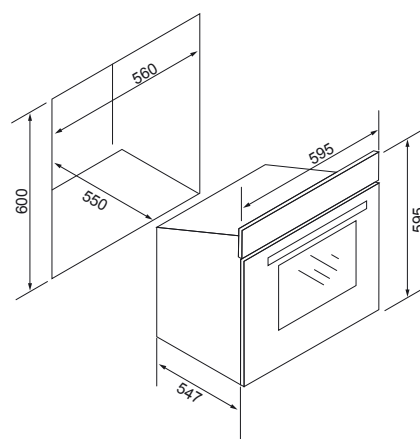
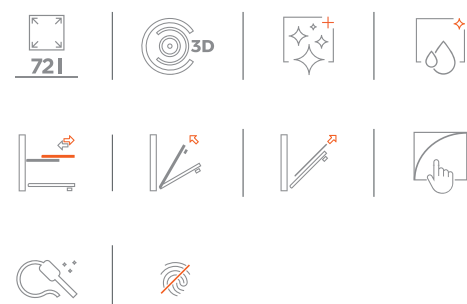
S5 - BO6505W01



S5 - BO6505X01

A

- 60 cm
- Control panel: Tempered glass (BO6505B01, BO6505W01)
- Control panel: Anti-finger inox (BO6505X01)
- Door panel: Tempered glass
- 13 cooking functions
- 2 electro-mechanic knobs
- Advanced LED screen
- Screen child lock
- Rapid pre-heating
- Removable side racks
- 2 telescopic rails
- Grill, thermostat, turbo fan
- Cooling fan
- Oven light
- 1 chrome grid, 1 deep and 1 standard tray
- 72 l net volume
- A energy class
- Optional: Meat probe which enables to measure the meat's cooking degree
- Eco mode for energy saving
- Keep warm function
- Triple glass door



MULTIFUNCTION ELECTRIC OVENS

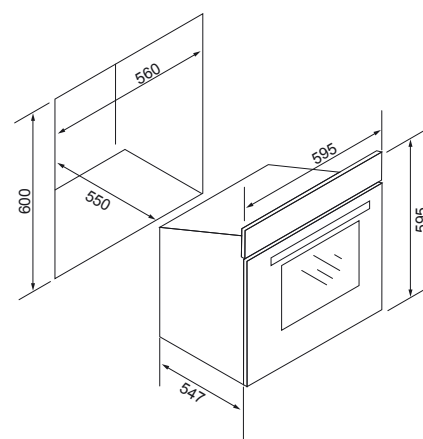
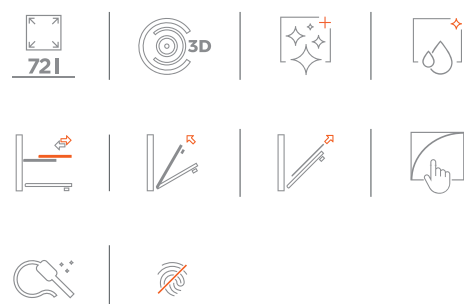


S5 - BO6505S01

S5 - BO6505M01

A

- 60 cm
- Control panel: Tempered glass (BO6505B01, BO6505W01)
- Control panel: Anti-finger inox (BO6505X01)
- 13 cooking functions
- 2 electro-mechanic knobs
- Advanced LED screen
- Screen child lock
- Rapid pre-heating
- Removable side racks
- 2 telescopic rails
- Grill, thermostat, turbo fan
- Cooling fan
- Oven light
- 1 chrome grid, 1 deep and 1 standard tray
- 72l net volume
- A energy class
- Optional: Meat probe which enables to measure the meat's cooking degree
- Eco mode for energy saving
- Keep warm function
- Triple glass door



MULTIFUNCTION ELECTRIC OVENS



S4 - BO6504B01

S4 - BO6504W01

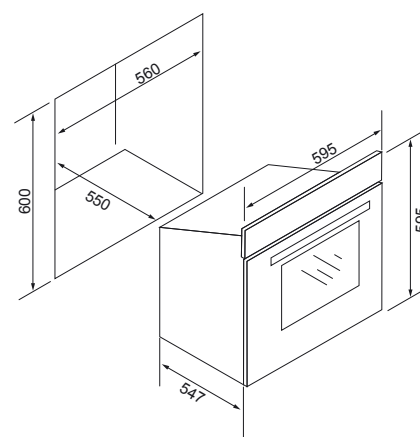
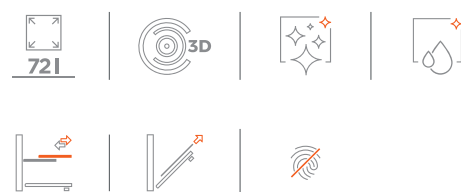
S4 - BO6504X01

S4 - BO6504S01

S4 - BO6504M01

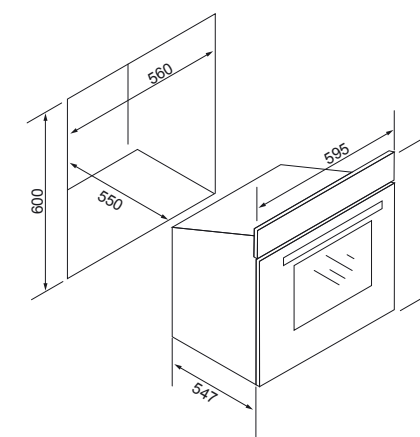
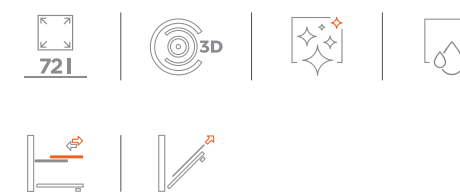
A

- 60 cm
- Control panel: Tempered glass (BO6504B01, BO6504W01)
- Control panel: Anti-fingerinox (BO6504X01)
- 8 cooking functions
- 2 push-pull knobs
- Advanced digital timer - Alarm and time programmer
- Screen child lock
- Rapid pre-heating
- Removable side racks
- Telescopic rail
- Grill, thermostat, turbo fan
- Cooling fan
- Oven light
- 1 chrome grid, 1 deep and 1 standard tray
- 72l net volume
- A energy class
- Double glass door



A

- 60 cm
- Control panel: Tempered glass (BO6504S01, BO6504M01)
- 8 cooking functions
- 2 push-pull knobs
- Advanced digital timer - Alarm and time programmer
- Screen child lock
- Rapid pre-heating
- Removable side racks
- Telescopic rail
- Grill, thermostat, turbo fan
- Cooling fan
- Oven light
- 1 chrome grid, 1 deep and 1 standard tray
- 72l net volume
- A energy class
- Double glass door



MULTIFUNCTION ELECTRIC OVENS



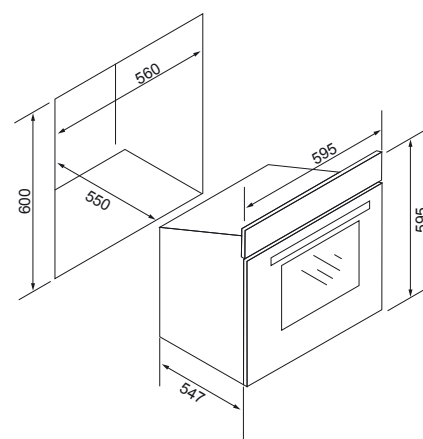
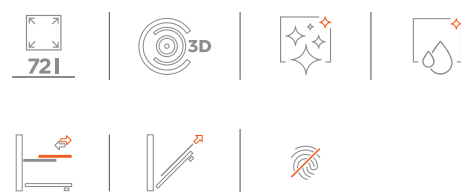
S3 - BO6503B01

S3 - BO6503W01

S3 - BO6503X01

A

- 60 cm
- Control panel: Tempered glass (BO6503B01, BO6503W01)
- Control panel: Anti-fingerinox (BO6503X01)
- 8 cooking functions
- 3 push-pull knobs
- Rapid pre-heating
- Removable side racks
- Telescopic rail
- Grill, thermostat, turbo fan
- Cooling fan
- Oven light
- 1 chrome grid, 1 deep and 1 standard tray
- 72 l net volume
- A energy class
- Double glass door



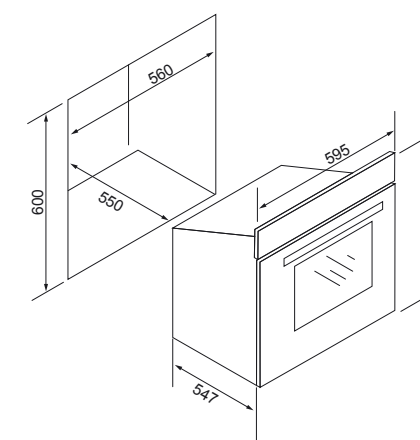
S2 - BO6502B01

S2 - BO6502W01

S2 - BO6502X01

A

- 60 cm
- Control panel: Tempered glass (BO6502B01, BO6502W01)
- Control panel: Anti-fingerinox (BO6502X01)
- 6 cooking functions
- 2 standard knobs: Function, temperature
- Digital timer - Alarm and time programmer
- Screen child lock
- Rapid pre-heating
- Removable side racks
- Grill, thermostat, turbo fan
- Cooling fan
- Oven light
- 1 chrome grid, 1 deep and 1 standard tray
- 72 l net volume
- A energy class
- Double glass door



MULTIFUNCTION ELECTRIC OVENS



S1 - BO6501B01

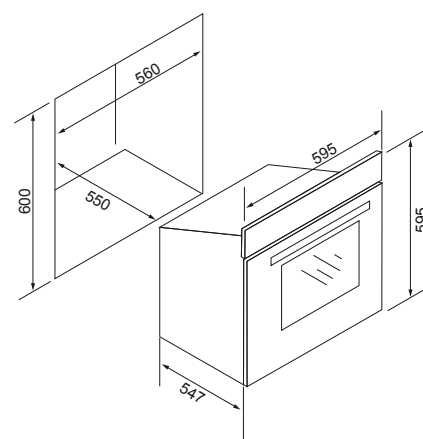
S1 - BO6501W01

S1 - BO6501X01

BO6233X01

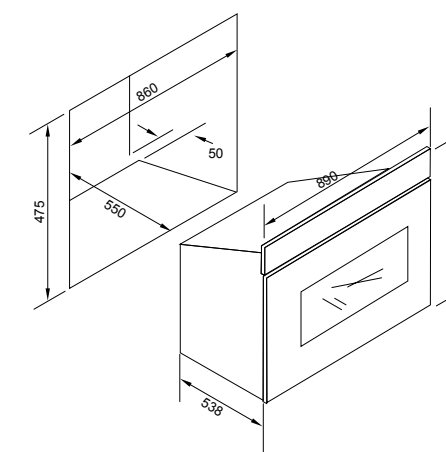
A

- 60 cm
- Control panel: Tempered glass (BO6501B01, BO6501W01)
- Control panel: Anti-finger inox (BO6501X01)
- 6 cooking functions
- 2 standard knobs: Function, temperature
- Rapid pre-heating
- Removable side racks
- Grill, thermostat, turbo fan
- Cooling fan
- Oven light
- 1 chrome grid, 1 deep and 1 standard tray
- 72 l net volume
- A energy class
- Double glass door



A

- 90 cm
- Control panel: Anti-finger stainless steel
- Door panel: Black tempered glass
- 9 cooking functions
- 3 standard knobs
- Removable side racks
- Minute minder
- Thermostat, turbo fan
- Double grill
- Drop-down grill
- Cooling fan
- 2 oven lights
- 1 chrome grid, 1 deep tray
- 91 l net volume
- A energy class
- Double glass door



STATIC ELECTRIC OVENS



S1 EL - BO6501B03

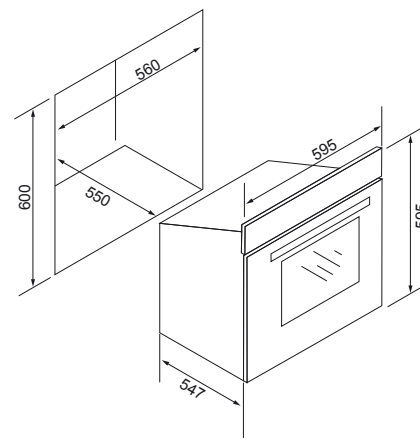
S1 EL - BO6501W03

S1 EL - BO6501X03

BO6247B01

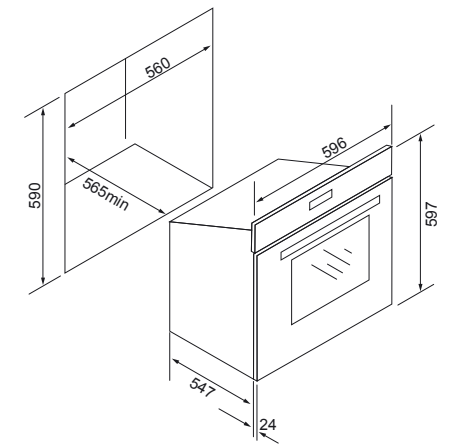
A

- 60 cm
- Control panel: Tempered glass (BO6501B03, BO6501W03)
- Control panel: Inox (BO6501X03)
- 4 cooking functions
- 2 standard knobs: Function, temperature
- Grill, thermostat
- Cooling fan
- Oven light
- 1 chrome grid, 1 deep tray
- 72l net volume
- A energy class
- Double glass door



A

- 60 cm
- Control panel: Mat enamel black
- Door panel: Black tempered glass
- 3 cooking functions
- 2 standard knobs: Function, temperature
- Thermostat
- Cooling fan
- Oven light
- 1 chrome grid, 1 deep tray
- 61l net volume
- A energy class
- Double glass door



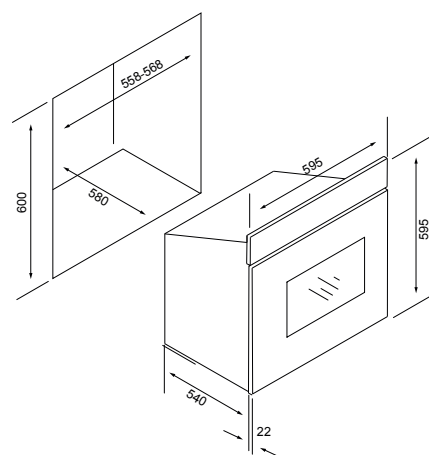
GAS OVENS



BO6085X01



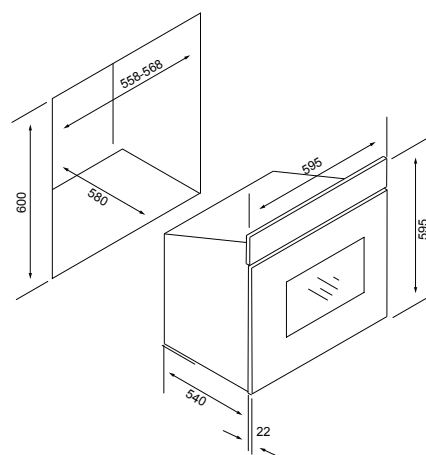
- 60 cm
- Gas Upper and Gas Bottom Heating
- 3 functions
- 45l
- Control Panel: Inox
- Door panel: Upper and Lower Horizontal Inox Border
- 2 Silver Knobs
- Digital Electronic Timer
- Automatic Ignition
- Flame Failure Device
- Turnspit (Optional)
- 1 Oven Light
- 1 chrome grid, 1 deep tray
- Cooling fan
- Double glass door



BO6087X01



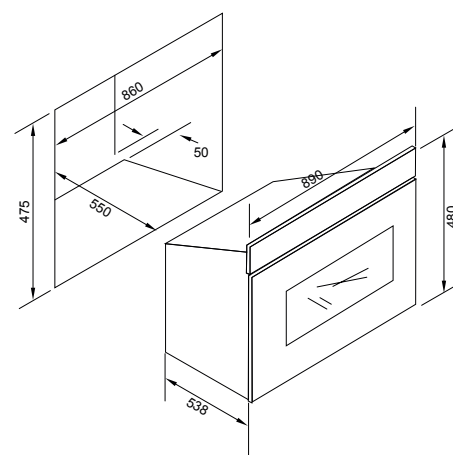
- 60 cm
- 3 functions
- 45l
- Gas Upper and Gas Bottom Heating
- Control Panel: Inox
- Door panel: Upper and Lower Horizontal Inox Border
- 2 Silver Knobs
- Automatic Ignition
- Flame Failure Device
- Turnspit (Optional)
- 1 Oven Light
- 1 chrome grid, 1 deep tray
- Cooling Fan
- Double glass door



BO6232X01



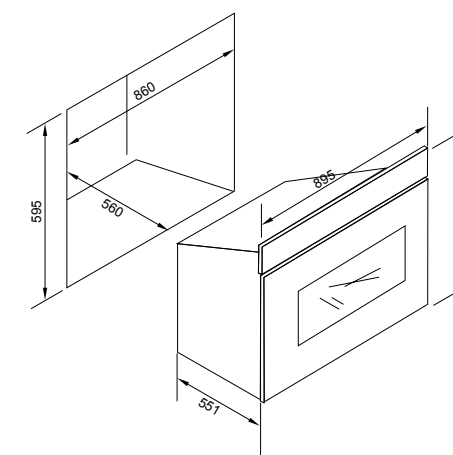
- 90 cm
- 3 functions
- 88l
- Control panel: Anti finger Stainless Steel
- Door panel: Anti finger Stainless Steel Frame
- 3 Metallic knobs (Mechanic control)
- Oven cavity with smooth sides and removable side racks
- Minute minder
- Automatic Gas Oven ignition
- Flame failure device
- Grill (GAS)+ Turnspit
- Adjustable thermostat
- Double lateral lighting
- Deep tray with Crystal clean enamel / grid
- Double glass door



BO6277X01



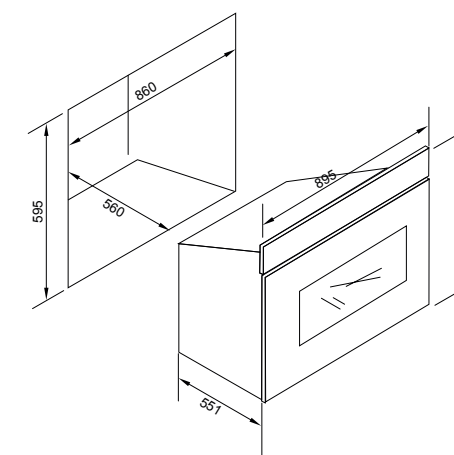
- 90 cm
- 88l
- Control panel: stainless steel
- Door panel: Black tempered glass
- GAS oven with gas grill
- Ventilated with turnspit
- Turbofan
- Minute minder 0-60'
- Double glass door
- Turnspit
- 1 chrome grid, 1 standard tray



BO6277B01



- 90 cm
- 88l
- Black tempered glass
- Door panel: Black tempered glass
- GAS oven with gas grill
- Ventilated with turnspit
- Turbofan
- Minute minder 0-60'
- Double glass door
- Turnspit
- 1 chrome grid, 1 standard tray



FREE STANDING COOKERS

FO6218B01



FO6218W01



FO6218I01



- 50x60, 50x60 or 60x60 size options
- Gas Oven
- Electrical Grill
- 3 Gas Burners - 1HP (145mm 1000W)
- Glass Top Lid
- Enamel Pan Support
- Turnspit
- Ignition
- Oven Lamp
- 1 chrome grid, 1 standard tray
- Adjustable feet
- Black, White, Inox colour



FO6263B01



FO6263W01



FO6263I01



- 50x60, 50x60 or 60x60 size options
- Gas Oven
- Electrical Grill
- 4 Gas Burners
- Glass Top Lid
- Enamel Pan Support
- Turnspit
- Ignition
- Oven Lamp
- 1 chrome grid, 1 standard tray
- Adjustable feet
- Black, White, Inox colour

FO6145B01



FO6145W01



FO6145I01



- 50x60, 50x60 or 60x60 size options
- Gas Oven
- Gas Grill
- 4 Gas Burners
- Metal Top Lid
- Cool Door (Removable Inner Glass)
- Enamel Pan Support
- Auto Ignition For Hob
- Oven Lamp
- 1 chrome grid, 1 standard tray
- Adjustable feet
- Black, White, Inox colour

FREE STANDING COOKERS

FO6243B01



FO6243W01



FO6243I01



- 50x60, 50x60 or 60x60 size options
- Gas Oven
- Gas Grill
- 4 Gas Burners
- Metal Top Lid
- Double glass door
- Enamel Pan Support
- Push Button Ignition For Hob
- Oven Lamp
- 1 chrome grid, 1 standard tray
- Adjustable feet

FO6278W01



FO6279W01



- 50x60 or 60x60 size options
- Electrical Oven
- Thermostat
- 4 hot plates
- Metal Top Lid
- Double Glass Oven Door
- Oven Lamp
- 1 chrome grid, 1 standard tray
- White Colour
- Optional: Turbo fan, turnspit, digital timer



MICROWAVE

The meals you like in just one touch! Silverline offers wide range built-in microwave ovens that complete your kitchen design.

MICROWAVE OVENS



10 Program
32 Liter
5 Level

MW9021X01

Built-In Microwave Frameless Oven

- Microwave + Grill cooking
- Convection cooking
- 4 combination cooking programs
- White colour LED display
- Digital Clock / 95 Minute non-segment digital timer
- 1550W input microwave power
- 1100W grill power
- 2500W microwave convection power
- 5 microwave power levels
- 10 Auto cooking programs
- Multi-cooking function
- Quick start
- Cooking end signal
- Defrost by weight and time
- Child safety lock
- Metal rack
- Glass turntable
- Stainless steel interior / window glass frontal panel
- Stainless steel control panel and front exterior
- Door Release Button
- Push-Pull Knob



8 Program
34 Liter
5 Level

MW9025X01

Built-In Microwave Frameless Oven

- Microwave cooking
- Grill cooking
- 2 combination cooking programs
- White colour LED digital display
- 95 Minute timer
- 1550W input microwave power
- 1000 W grill power
- 5 microwave power levels
- 8 auto cooking programs
- Multi-cooking function
- Pre-set Cooking
- Quick start
- Cooking end signal
- Defrost by weight and time
- Child safety lock
- Metal rack
- Glass turntable
- Stainless steel interior
- Anti finger stainless steel control panel and front exterior
- Door Release Button
- Silver Buttons + Aluminum Dial Push Pull Knob



8 Program
25 Liter
5 Level

MW9013X01

Built-In Microwave Oven with Grill

- Microwave cooking
- Grill cooking
- 2 combination cooking programs (microwave & grill)
- Digital Clock / 95 min. non-segment digital timer
- 1450W input microwave power
- 1000 W grill power
- 5 microwave power levels
- 8 auto cooking programs
- Multi-cooking function
- Pre-set Cooking
- Auto reheat
- Quick start
- Cooking end signal
- Auto defrost function
- Child safety lock
- Metal rack
- Glass turntable
- Stainless steel interior / frontal panel
- Stainless steel built-in frame
- Push-out door



8 Program
25 Liter
5 Level

MW9024S01

Built-In Microwave Frameless type

- Microwave cooking
- Grill cooking
- 2 combination cooking programs
- White colour LED digital display
- Digital Clock / 95 min. non-segment digital timer
- 1450W input microwave power
- 1000 W grill power
- 5 microwave power levels
- 8 auto cooking programs
- Multi-cooking function
- Quick start
- Cooking end signal
- Defrost by weight and time
- Child safety lock
- Metal rack
- Glass turntable
- Stainless steel interior / window glass frontal panel
- Aluminum Handle Door



8 Program
23 Liter
5 Level

MW9018B01

Built-In Microwave Oven with Grill

- Microwave cooking
- Grill cooking
- 2 combination cooking programs (microwave & grill)
- Digital Clock / 95 min. non-segment digital timer
- 1400W input microwave power
- 1000 W grill power
- 5 microwave power levels
- 8 auto cooking programs
- Multi-cooking function
- Pre-set Cooking
- Quick start
- Cooking end signal
- Auto defrost function
- Child safety lock
- Metal rack
- Glass turntable
- Stainless steel interior
- Black glass built-in frame

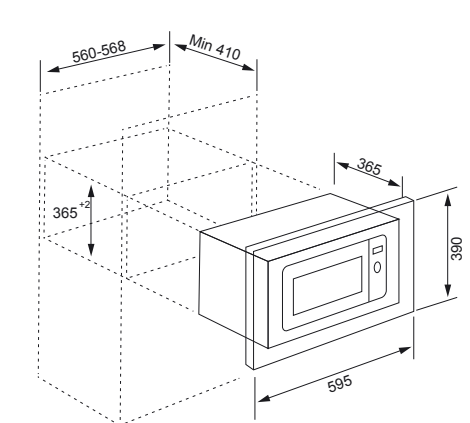
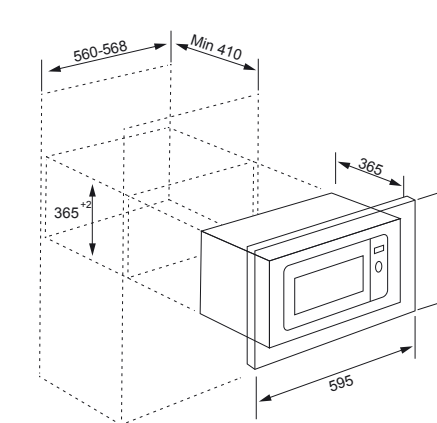
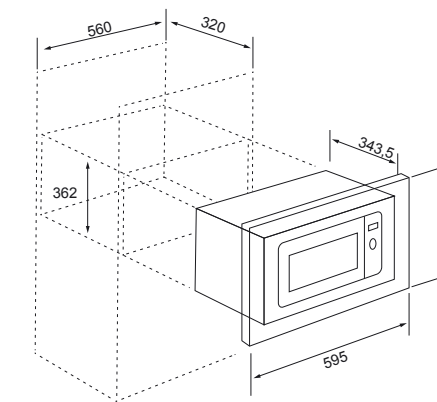
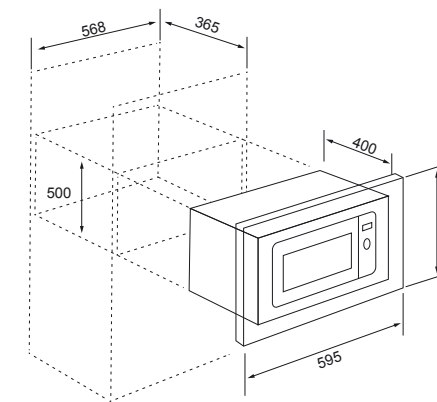
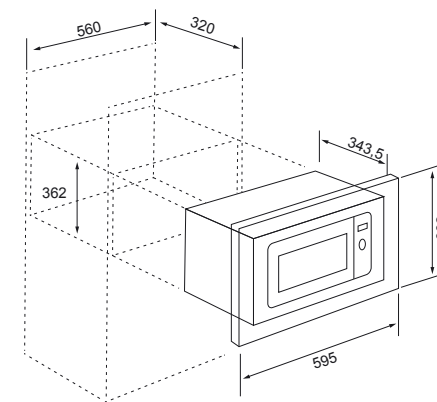
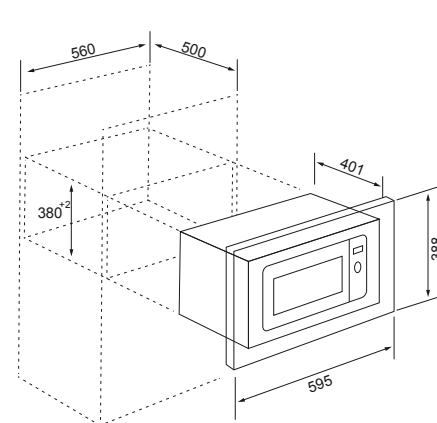


8 Program
23 Liter
5 Level

MW9018W01

Built-In Microwave Oven with Grill

- Microwave cooking
- Grill cooking
- 2 combination cooking programs (microwave & grill)
- Digital Clock / 95 min. non-segment digital timer
- 1400W input microwave power
- 1000 W grill power
- 5 microwave power levels
- 8 auto cooking programs
- Multi-cooking function
- Pre-set Cooking
- Quick start
- Cooking end signal
- Auto defrost function
- Child safety lock
- Metal rack
- Glass turntable
- Stainless steel interior
- Black glass built-in frame



MICROWAVE OVENS



8 Program | 23 Liter | 5 Level

MW9018X01

Built-In Microwave Oven with Grill

- Microwave cooking
- Grill cooking
- 2 combination cooking programs (microwave & grill)
- Digital Clock / 95 min. non-segment digital timer
- 1400W input microwave power
- 1000W grill power
- 5 microwave power levels
- 8 auto cooking programs
- Multi-cooking function
- Pre-set Cooking
- Quick start
- Cooking end signal
- Auto defrost function
- Child safety lock
- Metal rack
- Glass turntable
- Stainless steel interior
- Black glass built-in frame



8 Program | 20 Liter | 5 Level

MW9012X01

Built-In Microwave Oven with Grill

- Microwave cooking
- Grill cooking
- 2 combination cooking programs (microwave & grill)
- Digital Clock / 95 min. non-segment digital timer
- 1250W input microwave power
- 1000W grill power
- 5 microwave power levels
- 8 auto cooking programs
- Multi-cooking function
- Pre-set Cooking
- Auto reheat
- Quick start
- Anti finger
- Option without anti finger
- Cooking end signal
- Defrost by weight and time
- Child safety lock
- Metal rack
- Glass turntable
- Stainless steel interior / window glass frontal panel
- Stainless steel built-in frame
- Push-out door



8 Program | 20 Liter | 6 Level

MW9035B01

Built-In Microwave Oven with Grill

- Microwave cooking
- Grill cooking
- 2 combination cooking programs (microwave & grill)
- Digital clock
- 900W grill power
- 700W output microwave power
- 6 microwave power levels
- 8 auto cooking programs
- Express cooking
- Pre-set Cooking
- Cooking timer
- Cooking end signal
- Child safety lock
- Auto & Speed Defrost function
- Glass turntable
- Stainless steel interior

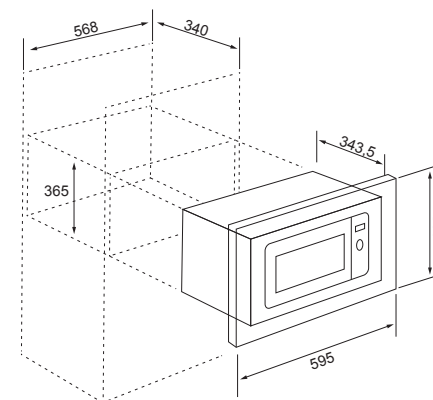
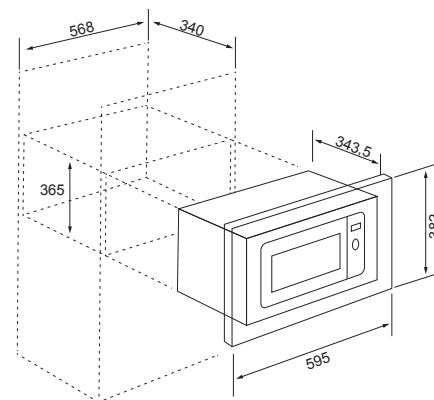
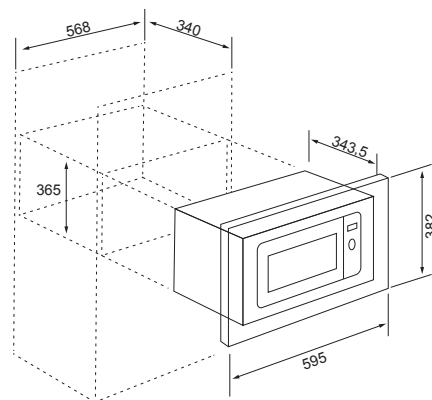
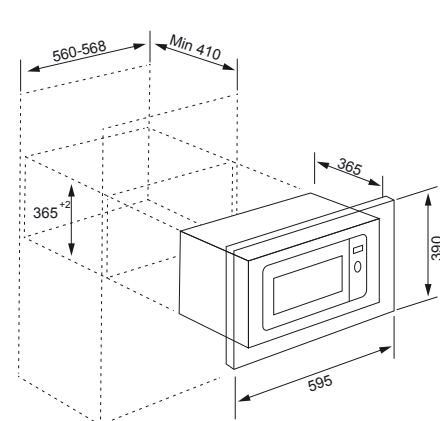


20 Liter | 5 Level

MW9036W01

Free-Standing Microwave Oven

- 700W output microwave power
- 6 microwave power levels
- Mechanical control
- Cooking timer
- Cooking end signal
- Defrost function
- White painting interior



HOBS

Very step on the path to culinary art forms a part of a whole. Strong designs, advanced technology, multi-functionality.



GAS HOB

Combustion of gas is used as the source of heat.



GAS PROOF SAFETY

It cuts off the gas supply immediately to ensure full safety.



VITROCERAMIC HOB

Intensive heat - resistant and shockproof ceramic glass surface (Resistant up to 850°C)



BRIDGE

Two separate cooking zones can be used as a single and large surface.



INDUCTION HOB

It is the high-frequency electromagnetic feature which transforms the container into a heat generator rather than conveying the heat it generated to the container.



AFTER HEAT INDICATOR

The post-heating indicator shows whether it is safe to touch the surface.



EASY CLEANING

Easy cleaning for day to day maintenance.



TIME ASSISTANCE

The function of the closure of timer closes all of hotplates safety when selected time expired.



WIDTH 60 cm

The width of the oven.



CHILD SCREEN LOCK

The child safety lock inhibits all functions of the hob with a single button.



FIRING IGNITION

Automatic ignition system.



BOOSTER

This function is used to heat the oven rapidly; it is not suitable for cooking food.



FIRE CONTROL

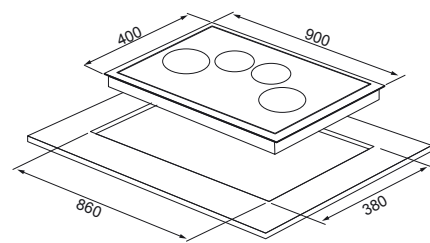
Gives you precise, convenient fire control over all cooking zones.

INDUCTION HOBS

IH5367B01



- 90 cm induction hob
- Standard glass
- Touch control panel
- Pan optimization system
- Power plus function
- Security blocking
- Cooking time programmer
- Independent programmer of each cooking zone
- Residual heat indicator
- 4 cooking zones
- 1 induction element (210 mm Ø)
- 2 induction elements (180 mm Ø)
- 1 induction element (145 mm Ø)
- 1 induction element (145 mm Ø)
- Total nominal power: 7000 W

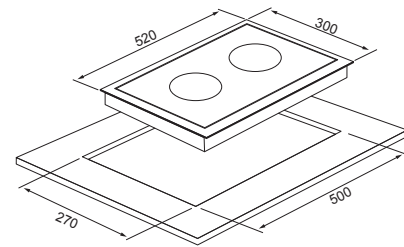


7400W
Power

FX5366B01



- Without bevelled glass
- Touch control "slider" with acoustic sensors and security blocking
- Pan optimization system
- Low-temp function
- Electronic timer (possibility to programme all the zones at the same time)
- Pan detector
- 2 x oval induction 235 x 190 mm
- 1 FLEX zone of 235 x 395 mm
- Power function in all induction elements (1/2.200W - 2/2.200W)
- Residual heat indicators
- Ø180mm Hi-light heater (1800W) - Rear Right
- Ø210mm Hi-light heater (2100W) - Rear Left

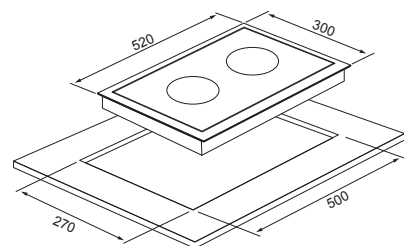


3500W
Power

IH5368B01



- Without bevelled glass
- Touch control with acoustic sensors and security blocking
- Pan optimization system
- Electronic timer
- Pan detector
- 1 induction Ø 145 mm
- 2 induction Ø 210 mm
- Power function in all induction elements (1/1.800W - 2/3.000W)
- Residual heat indicators



3200W
Power

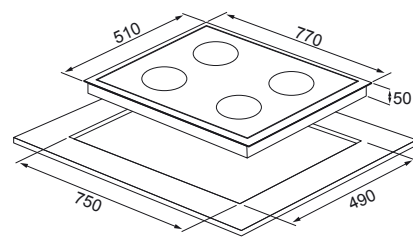


VITRO CERAMIC HOBS

VC5338B01



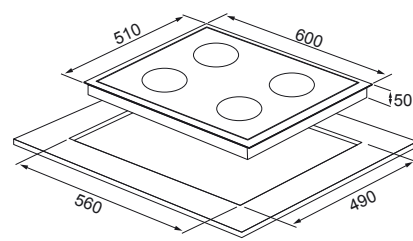
- Decorative easy-clean vitro ceramic surface
- Touch control with timer
- Digital indicators
- Safety lock
- Residual heat indicators
- Power Level 9
- Ø140mm Hi-light heater (1200W) – Front Right
- Ø140mm Hi-light heater (1200W) – Front Left
- Ø180mm Hi-light heater (1800W) – Rear Right
- Ø210mm Hi-light heater (2100W) – Rear Left



VC5337B01



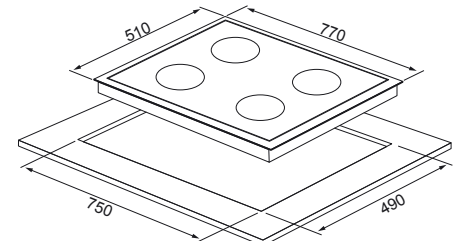
- Decorative easy-clean vitro ceramic surface
- Touch control
- Digital indicators
- Safety lock
- Residual heat indicators
- Power Level 9
- Ø140mm Hi-light heater (1200W) – Front Right
- Ø140mm Hi-light heater (1200W) – Front Left
- Ø180mm Hi-light heater (1800W) – Rear Right
- Ø210mm Hi-light heater (2100W) – Rear Left



VC5354W01



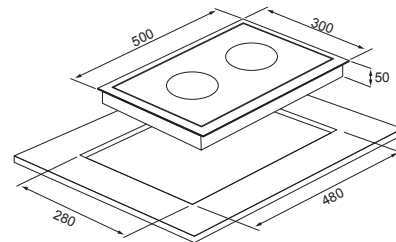
- Decorative easy-clean vitro ceramic surface
- Touch control with timer
- Digital indicators
- Safety lock
- Residual heat indicators
- Power Level 9
- Ø140mm Hi-light heater (1200W) – Front Right
- Ø140mm Hi-light heater (1200W) – Front Left
- Ø180mm Hi-light heater (1800W) – Rear Right
- Ø210mm Hi-light heater (2100W) – Rear Left



VC5075B01



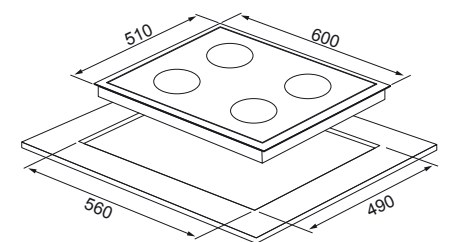
- Decorative easy-clean vitro ceramic surface
- Touch control with timer
- Digital indicators
- Safety lock
- Residual heat indicators
- Cooking timer: 99 dk
- Power Level 9
- 1x Ø 180: 1800 W
- 1x Ø 145: 1200 W



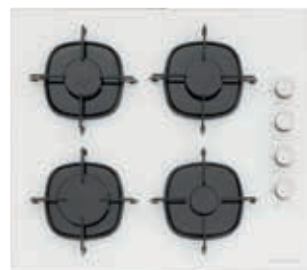
VC5355W01



- Decorative easy-clean vitro ceramic surface
- Touch control
- Digital indicators
- Safety lock
- Residual heat indicators
- Power Level 9
- Ø140mm Hi-light heater (1200W) – Front Right
- Ø140mm Hi-light heater (1200W) – Front Left
- Ø180mm Hi-light heater (1800W) – Rear Right
- Ø210mm Hi-light heater (2100W) – Rear Left



GLASS BUILT-IN HOBS



CS5335B01

- 4 Gas Burners
- Enamel pan supports and burner caps
- Under knob auto-ignition
- Side mechanical control
- Safety Device
- 1x Rapid burner: 2900W
- 2x Semi-rapid burner: 1750W
- 1x Auxiliary burner: 1000W

CS5335W01

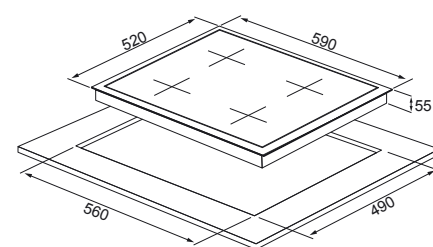
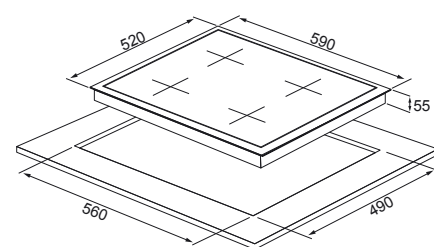
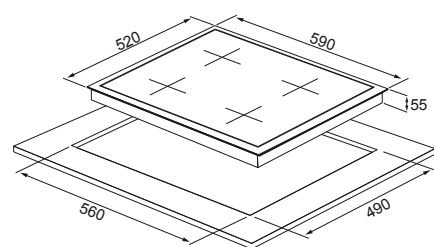
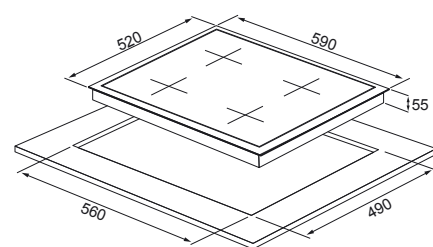
- 4 Gas Burners
- Enamel pan supports and burner caps
- Under knob auto-ignition
- Side mechanical control
- Safety Device
- 1x Rapid burner: 2900W
- 2x Semi-rapid burner: 1750W
- 1x Auxiliary burner: 1000W

CS5343B01

- 4 Gas Burners
- Cast iron pan supports and burner caps
- Under knob auto-ignition
- Side mechanical control
- Safety Device
- 1x Rapid burner: 2900W
- 2x Semi-rapid burner: 1750W
- 1x Auxiliary burner: 1000W

CS5343W01

- 4 Gas Burners
- Cast iron pan supports and burner caps
- Under knob auto-ignition
- Side mechanical control
- Safety Device
- 1x Rapid burner: 2900W
- 2x Semi-rapid burner: 1750W
- 1x Auxiliary burner: 1000W



GLASS BUILT-IN HOBS

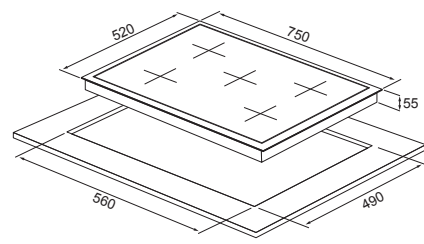
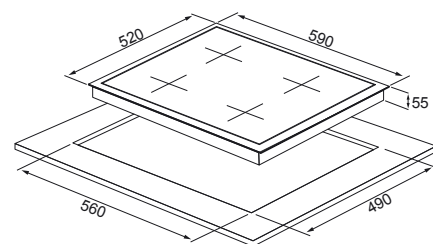


CS5343M01

- 4 Gas Burners
- Cast iron pan supports and burner caps
- Under knob auto-ignition
- Side mechanical control
- Safety Device
- 1x Rapid burner: 2900W
- 2x Semi-rapid burner: 1750W
- 1x Auxiliary burner: 1000W

CS5364M01

- 5 Gas Burners (1 WOK Burner)
- Cast iron pan supports and burner caps
- Under knob auto-ignition
- Front mechanical control
- 1x WOK burner: 3800W
- 1x Rapid burner: 2900W
- 2x Semi-rapid burner: 1750W
- 1x Auxiliary burner: 1000W





GLASS BUILT-IN HOBS



CS5335S01

- 4 Gas Burners
- Enamel pan supports and burner caps
- Under knob auto-ignition
- Side mechanical control
- Safety Device
- 1x Rapid burner: 2900 W
- 2x Semi-rapid burner: 1750 W
- 1x Auxiliary burner: 1000 W



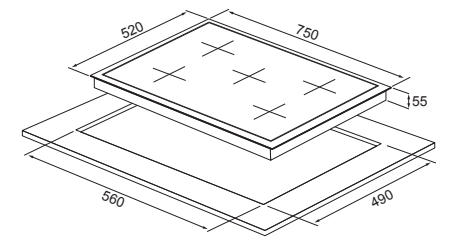
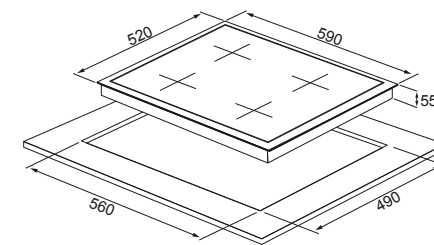
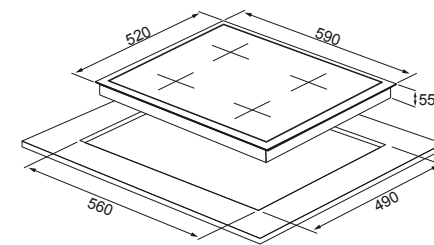
CS5343S01

- 4 Gas Burners
- Cast iron pan supports and burner caps
- Under knob auto-ignition
- Side mechanical control
- Safety Device
- 1x Rapid burner: 2900 W
- 2x Semi-rapid burner: 1750 W
- 1x Auxiliary burner: 1000 W

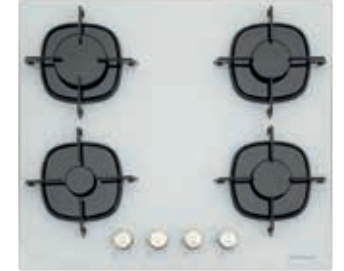
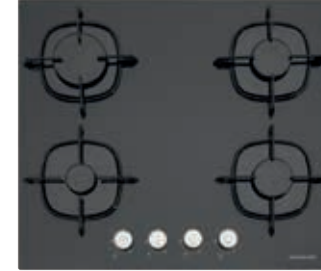


CS5364S01

- 5 Gas Burners (1 WOK Burner)
- Cast iron pan supports and burner caps
- Under knob auto-ignition
- Front mechanical control
- 1x WOK burner: 3800 W
- 1x Rapid burner: 2900 W
- 2x Semi-rapid burner: 1750 W
- 1x Auxiliary burner: 1000 W



GLASS BUILT-IN HOBS



CS5430B01

- 3G+1H Gas Burners
- Cast iron pan supports and burner caps
- Under knob auto-ignition
- Side mechanical control
- Safety Device
- 1x Rapid burner: 2900W
- 1x Semi-rapid burner: 1750W
- 1x Auxiliary burner: 1000W
- 1x Hot plate: 1500W (rapid)

CS5430W01

- 3G+1H Gas Burners
- Cast iron pan supports and burner caps
- Under knob auto-ignition
- Side mechanical control
- Safety Device
- 1x Rapid burner: 2900W
- 1x Semi-rapid burner: 1750W
- 1x Auxiliary burner: 1000W
- 1x Hot plate: 1500W (rapid)

CS5429B01

- 3G+1W Gas Burners
- Cast iron pan supports and burner caps
- Under knob auto-ignition
- Side mechanical control
- Safety Device
- 2x Semi-rapid burner: 1750W
- 1x Auxiliary burner: 1000W
- 1x Wck: 3600W

CS5429W01

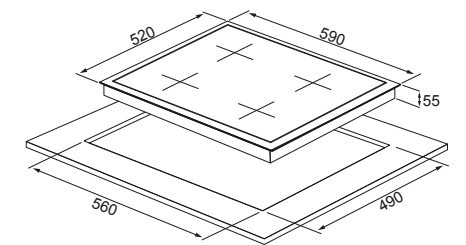
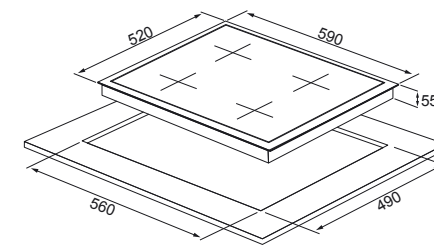
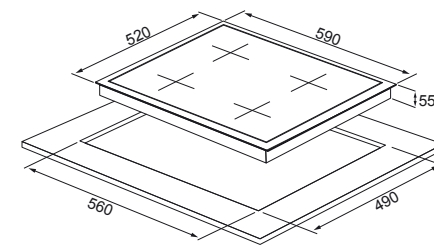
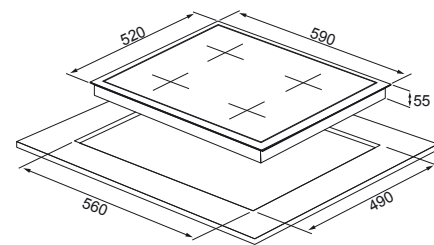
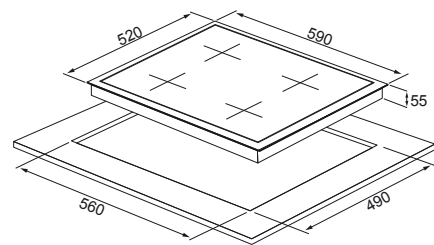
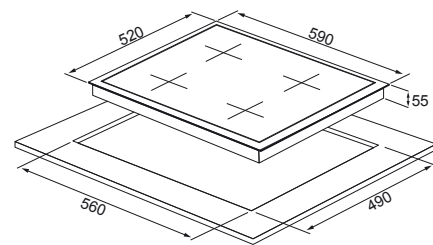
- 3G+1W Gas Burners
- Cast iron pan supports and burner caps
- Under knob auto-ignition
- Side mechanical control
- Safety Device
- 2x Semi-rapid burner: 1750W
- 1x Auxiliary burner: 1000W
- 1x Wck: 3600W

CS5436B01

- 4 Gas Burners
- Enamel pan supports and burner caps
- Under knob auto-ignition
- Front mechanical control
- Safety Device
- 1x Rapid burner: 2900W
- 2x Semi-rapid burner: 1750W
- 1x Auxiliary burner: 1000W

CS5436W01

- 4 Gas Burners
- Enamel pan supports and burner caps
- Under knob auto-ignition
- Front mechanical control
- Safety Device
- 1x Rapid burner: 2900W
- 2x Semi-rapid burner: 1750W
- 1x Auxiliary burner: 1000W



GLASS BUILT-IN HOBS



CS5437B01

- 4 Gas Burners
- Cast iron pan supports and burner caps
- Under knob auto-ignition
- Front mechanical control
- Safety Device
- 1x Rapid burner: 2900W
- 2x Semi-rapid burner: 1750W
- 1x Auxiliary burner: 1000W

CS5437W01

- 4 Gas Burners
- Cast iron pan supports and burner caps
- Under knob auto-ignition
- Front mechanical control
- Safety Device
- 1x Rapid burner: 2900W
- 2x Semi-rapid burner: 1750W
- 1x Auxiliary burner: 1000W

CS5407B01

- 3G+1W Gas Burners
- Cast iron pan supports and burner caps
- Under knob auto-ignition
- Front mechanical control
- Safety Device
- 1x WOK burner: 3600W
- 2x Semi-rapid burner: 1750W
- 1x Auxiliary burner: 1000W

CS5407W01

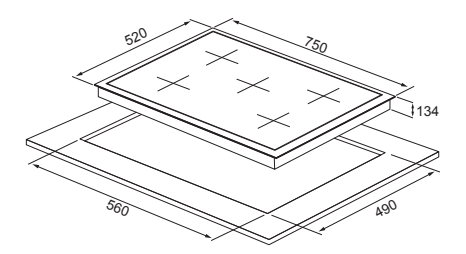
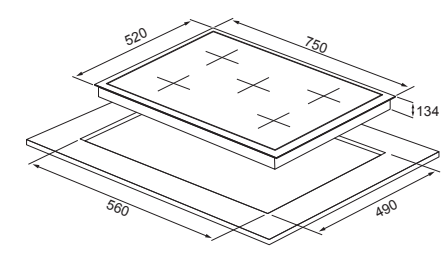
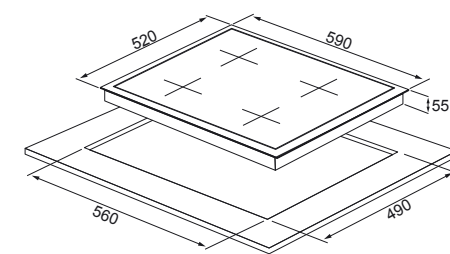
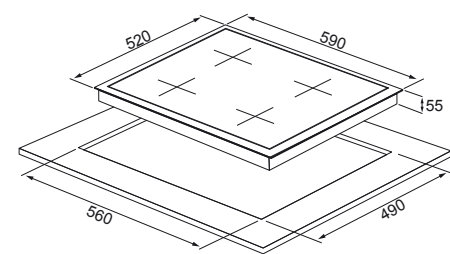
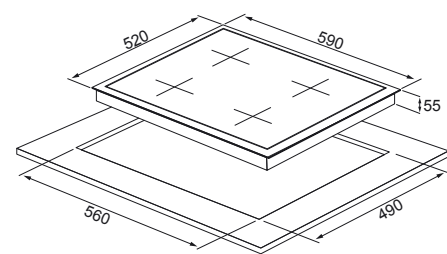
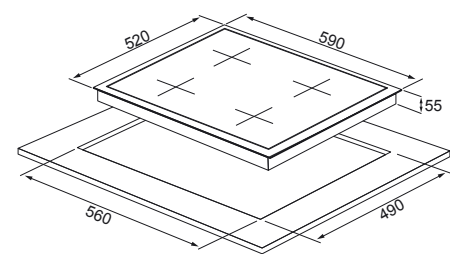
- 3G+1W Gas Burners
- Cast iron pan supports and burner caps
- Under knob auto-ignition
- Front mechanical control
- Safety Device
- 1x WOK burner: 3600W
- 2x Semi-rapid burner: 1750W
- 1x Auxiliary burner: 1000W

CS5364B01

- 5 Gas Burners (1 WOK Burner)
- Cast iron pan supports and burner caps
- Under knob auto-ignition
- Front mechanical control
- 1x WOK burner: 3800W
- 1x Rapid burner: 2900W
- 2x Semi-rapid burner: 1750W
- 1x Auxiliary burner: 1000W

CS5364W01

- 5 Gas Burners (1 WOK Burner)
- Cast iron pan supports and burner caps
- Under knob auto-ignition
- Front mechanical control
- 1x WOK burner: 3800W
- 1x Rapid burner: 2900W
- 2x Semi-rapid burner: 1750W
- 1x Auxiliary burner: 1000W



GLASS BUILT-IN HOBS



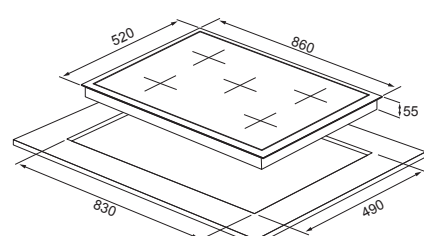
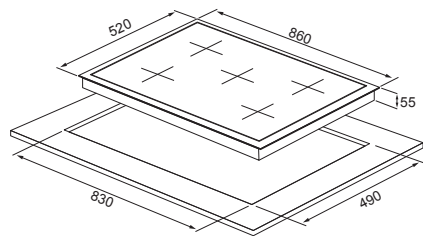
CS5363B01

- 5 Gas Burners (1 WOK Burner)
- Cast iron pan supports and burner caps
- Underknob auto-ignition
- Front mechanical control
- 1x WOK burner: 3800 W
- 1x Rapid burner: 2900 W
- 2x Semi-rapid burner: 1750 W
- 1x Auxiliary burner: 1000 W



CS5363W01

- 5 Gas Burners (1 WOK Burner)
- Cast iron pan supports and burner caps
- Underknob auto-ignition
- Front mechanical control
- 1x WOK burner: 3800 W
- 1x Rapid burner: 2900 W
- 2x Semi-rapid burner: 1750 W
- 1x Auxiliary burner: 1000 W



GLASS BUILT-IN HOBS



CS5365B01

- 5 Gas Burners (1 WOK Burner)
- Enamel pan supports and burner caps
- Underknob auto-ignition
- Front mechanical control
- 1x WOK burner: 3800 W
- 1x Rapid burner: 2900 W
- 2x Semi-rapid burner: 1750 W
- 1x Auxiliary burner: 1000 W

CS5365W01

- 5 Gas Burners (1 WOK Burner)
- Enamel pan supports and burner caps
- Underknob auto-ignition
- Front mechanical control
- 1x WOK burner: 3800 W
- 1x Rapid burner: 2900 W
- 2x Semi-rapid burner: 1750 W
- 1x Auxiliary burner: 1000 W

CS5410B01

- 2 Gas Burners
- Cast iron pan supports and burner caps
- Underknob auto-ignition
- Front mechanical control
- Safety Device
- 1x Rapid burner: 2900 W
- 1x Semi-rapid burner: 1750 W

CS5411B01

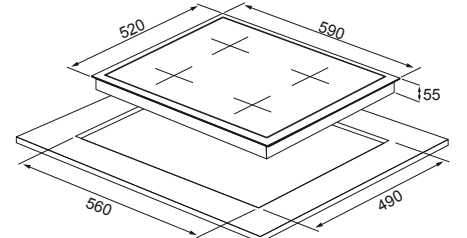
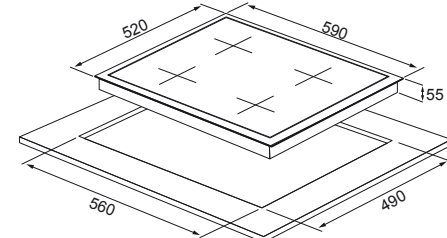
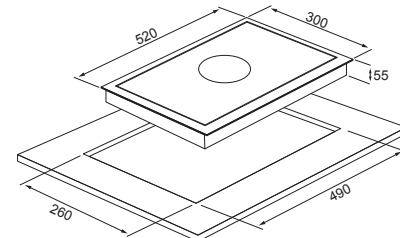
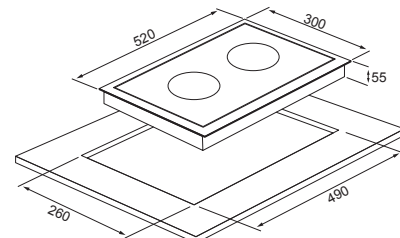
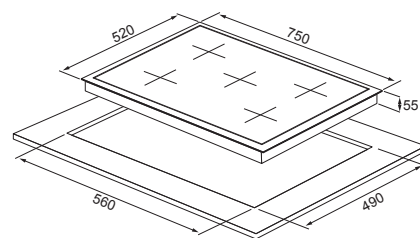
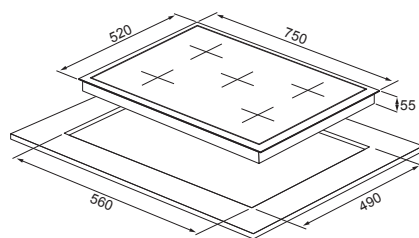
- 1 Gas Burners
- Cast iron pan supports and burner caps
- Underknob auto-ignition
- Front mechanical control
- Safety Device
- 1x Wok burner: 3800 W

CS5349B01

- 4 Gas Burners
- Enamel pan supports and burner caps
- Underknob auto-ignition
- Side mechanical control
- Safety Device
- 1x Rapid burner: 2900 W
- 2x Semi-rapid burner: 1750 W
- 1x Auxiliary burner: 1000 W

CS5349W01

- 4 Gas Burners
- Enamel pan supports and burner caps
- Underknob auto-ignition
- YENI
- Safety Device
- 1x Rapid burner: 2900 W
- 2x Semi-rapid burner: 1750 W
- 1x Auxiliary burner: 1000 W



GLASS BUILT-IN HOBS



CS5404B01

- 4 Gas Burners
- Cast iron pan supports and burner caps
- Underknob auto-ignition
- Front mechanical control
- Safety Device
- 1x Rapid burner: 2900W
- 2x Semi-rapid burner: 1750W
- 1x Auxiliary burner: 1000W

CS5404W01

- 4 Gas Burners
- Cast iron pan supports and burner caps
- Underknob auto-ignition
- Front mechanical control
- Safety Device
- 1x Rapid burner: 2900W
- 2x Semi-rapid burner: 1750W
- 1x Auxiliary burner: 1000W

CS5405B01

- 5 Gas Burners (1 WOK Burner)
- Cast iron pan supports and burner caps
- Underknob auto-ignition
- Front mechanical control
- Safety Device
- 1x WOK Burner: 3800W
- 1x Rapid burner: 2900W
- 2x Semi-rapid burner: 1750W
- 1x Auxiliary burner: 1000W

CS5405W01

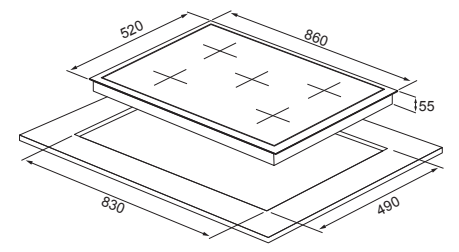
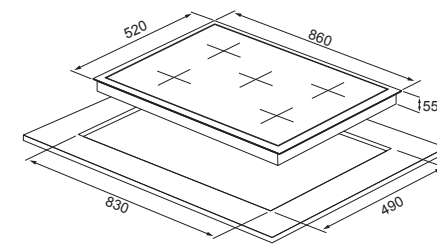
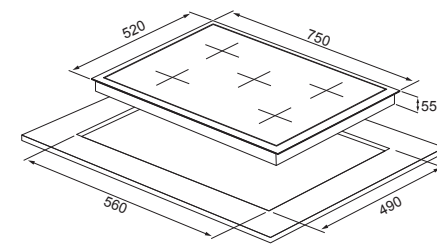
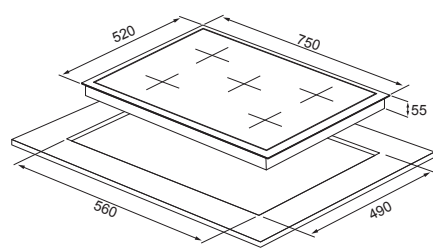
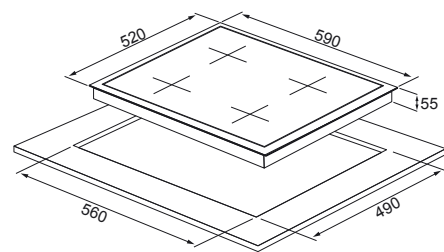
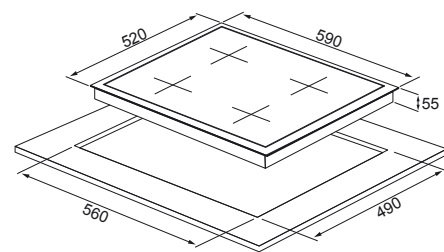
- 5 Gas Burners (1 WOK Burner)
- Cast iron pan supports and burner caps
- Underknob auto-ignition
- Front mechanical control
- Safety Device
- 1x WOK Burner: 3800W
- 1x Rapid burner: 2900W
- 2x Semi-rapid burner: 1750W
- 1x Auxiliary burner: 1000W

CS5406B01

- 5 Gas Burners (1 WOK Burner)
- Cast iron pan supports and burner caps
- Underknob auto-ignition
- Front mechanical control
- Safety Device
- 1x WOK Burner: 3800W
- 1x Rapid burner: 2900W
- 2x Semi-rapid burner: 1750W
- 1x Auxiliary burner: 1000W

CS5406W01

- 5 Gas Burners (1 WOK Burner)
- Cast iron pan supports and burner caps
- Underknob auto-ignition
- Front mechanical control
- Safety Device
- 1x WOK Burner: 3800W
- 1x Rapid burner: 2900W
- 2x Semi-rapid burner: 1750W
- 1x Auxiliary burner: 1000W



MYFLAME HOBS



CS5427B01

- 4 Gas Burners
- 9-level flame control
- Cast iron pan supports and burner caps
- Underknob auto-ignition
- Front mechanical control
- Safety Device
- 1x Rapid burner: 2900 W
- 2x Semi-rapid burner: 1750 W
- 1x Auxiliary burner: 1000 W



CS5426B01

- 5 Gas Burners (WOK)
- 9-level flame control
- Cast iron pan supports and burner caps
- Underknob auto-ignition
- Front mechanical control
- Safety Device
- 1x Rapid burner: 2900 W
- 2x Semi-rapid burner: 1750 W
- 1x Auxiliary burner: 1000 W
- 1x WOK burner: 3800 W



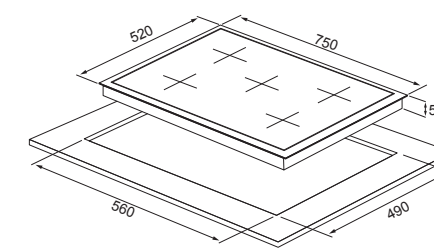
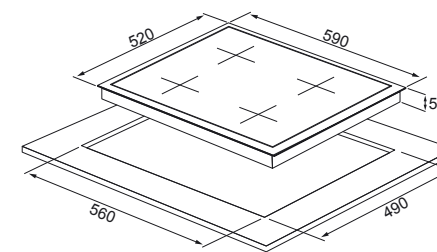
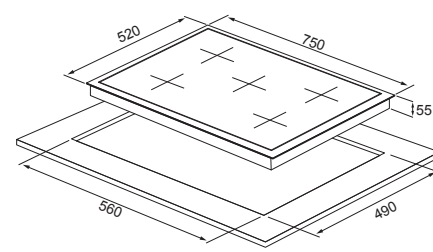
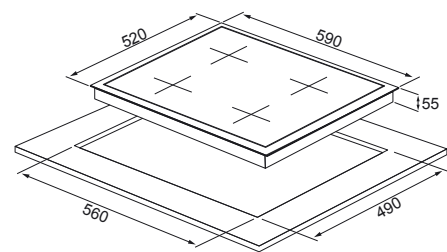
CS5438B01

- 4 Gas Burners
- 9-level flame control
- Cast iron pan supports and burner caps
- Underknob auto-ignition
- Front mechanical control
- Safety Device
- 1x Rapid burner: 2900 W
- 2x Semi-rapid burner: 1750 W
- 1x Auxiliary burner: 1000 W



CS5439B01

- 5 Gas Burners (WOK)
- 9-level flame control
- Cast iron pan supports and burner caps
- Underknob auto-ignition
- Front mechanical control
- Safety Device
- 1x Rapid burner: 2900 W
- 2x Semi-rapid burner: 1750 W
- 1x Auxiliary burner: 1000 W
- 1x WOK burner: 3800 W



STAINLESS STEEL HOBS



AS5378X01

- 4 gas burners
- Enamel pan supports and burner caps
- Underknob auto-ignition
- Side control
- 1x Rapid burner: 2800 W
- 2x Semi-rapid burner: 1700 W
- 1x Auxiliary burner: 1000 W

AS5379X01

- 3 gas burners + 1 electric hot plate
- Enamel pan supports and burner caps
- Underknob auto-ignition
- Side control
- 1x Rapid burner: 2800 W
- 1x Semi-rapid burner: 1700 W
- 1x Auxiliary burner: 1000 W
- 1x Hot plate Ø145: 1500 W

AS5408X01

- 4 gas burners
- Enamel pan supports and burner caps
- Underknob auto-ignition
- Front control
- 1x Rapid burner: 2800 W
- 2x Semi-rapid burner: 1700 W
- 1x Auxiliary burner: 1000 W

AS5380X01

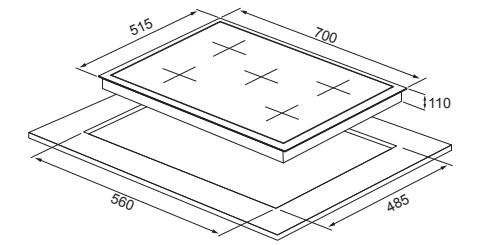
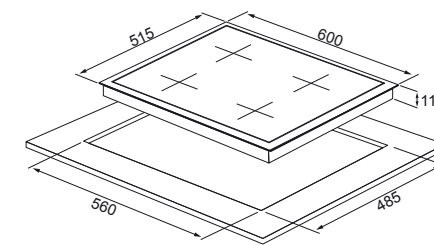
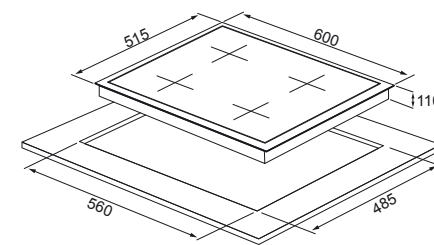
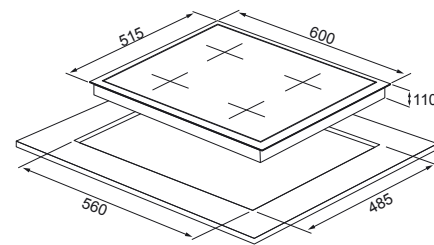
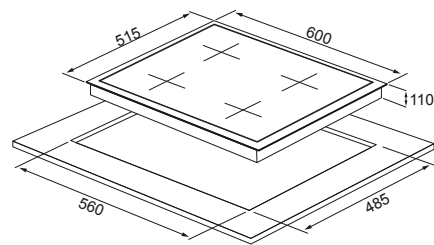
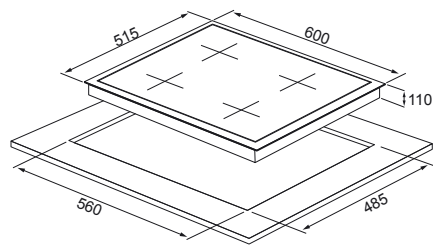
- 4 gas burners
- Cast iron pan supports and burner caps
- Underknob auto-ignition
- Front control
- 1x Rapid burner: 2800 W
- 2x Semi-rapid burner: 1700 W
- 1x Auxiliary burner: 1000 W

AS5381X01

- 4 gas burners (1 WOK burner)
- Cast iron pan supports and burner caps
- Underknob auto-ignition
- Front control
- 1x Wok burner: 2500 W
- 2x Semi-rapid burner: 1700 W
- 1x Auxiliary burner: 1000 W

AS5409X01

- 5 gas burners (1 WOK burner)
- Enamel pan supports and burner caps
- Underknob auto-ignition
- Front control
- 1x Rapid burner: 2800 W
- 2x Semi-rapid burner: 1700 W
- 1x Auxiliary burner: 1000 W
- 1x WOK: 3100 W



STAINLESS STEEL HOBS



AS5382X01

- 5 gas burners (1 WOK burner)
- Cast iron pan supports and burner caps
- Underknob auto-ignition
- Front control
- 1x Rapid burner: 2800 W
- 2x Semi-rapid burner: 1700 W
- 1x Auxiliary burner: 1000 W
- 1x WOK: 3100 W



AS5283

- 2 gas burners
- Cast iron pan supports
- Underknob auto-ignition
- Front control
- 1x Rapid burner: 3000 W
- 1x Auxiliary burner: 1000 W



AS5287

- 2 gas burners
- Enamel pan supports
- Underknob auto-ignition
- Front control
- 1x Rapid burner: 3000 W
- 1x Auxiliary burner: 1000 W



AS5005

- 4 Hot Plates
- Hot Plates Side Control by 6 position switch
- Power on indicator
- Power Supply Cord (OPTIONAL)
- ø 145 mm / 1500 W (rapid)
- ø 180 mm / 2000 W (rapid)



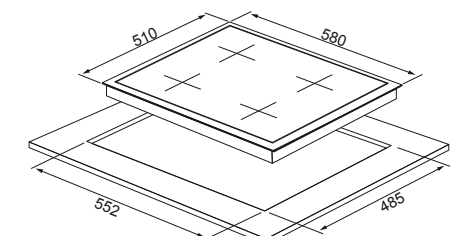
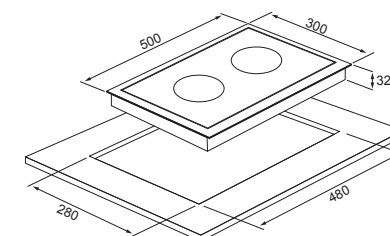
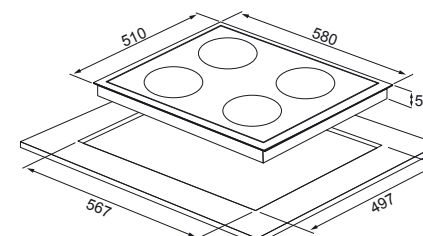
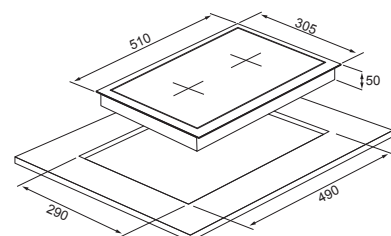
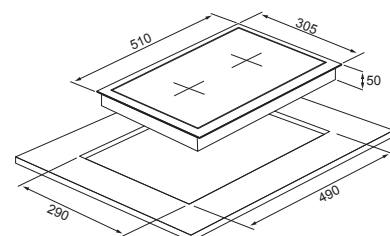
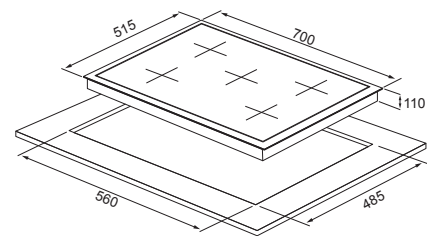
AS5255

- 2 Hot Plates
- Hot Plates Front Control by 6 Position Switch
- Power on indicator
- Power Supply Cord (OPTIONAL)
- ø 145 mm / 1500 W (rapid)
- ø 180 mm / 2000 W (rapid)



AS5330B01

- Black Enameled Built-In Hob
- 4 gas burners
- Cast iron pan supports
- Underknob auto-ignition
- Side control
- With Flame Failure Device
- 1x Rapid burner: 3000 W
- 2x Semi-rapid burner: 1750 W
- 1x Auxiliary burner: 1000 W





STAINLESS STEEL HOBS



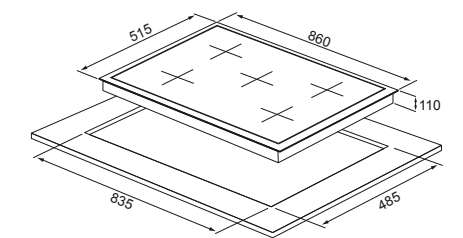


 10300W
Power

AS5383X01

Stainless Steel Built-In Hob

- 5 gas burners (1 WOK burner)
- Cast iron pan supports and burner caps
- Underknob auto-ignition
- Front control
- 1x Rapid burner: 2800 W
- 2x Semi-rapid burner: 1700 W
- 1x Auxiliary burner: 1000 W
- 1x WOK: 3100 W



■ FREESTANDING HOBS



FS5425B01

- 4 Gas Burners
- Enamel pan supports and burner caps
- Underknob auto-ignition
- Side mechanical control
- Safety Device
- 1x Rapid burner: 2900 W
- 2x Semi-rapid burner: 1750 W
- 1x Auxiliary burner: 1000 W



FS5425W01

- 4 Gas Burners
- Enamel pan supports and burner caps
- Underknob auto-ignition
- Side mechanical control
- Safety Device
- 1x Rapid burner: 2900 W
- 2x Semi-rapid burner: 1750 W
- 1x Auxiliary burner: 1000 W



FS5425S01

- 4 Gas Burners
- Enamel pan supports and burner caps
- Underknob auto-ignition
- Side mechanical control
- Safety Device
- 1x Rapid burner: 2900 W
- 2x Semi-rapid burner: 1750 W
- 1x Auxiliary burner: 1000 W



HOODS

High performance is achieved through smart technologies and strong design. As we spend a great deal of our time there, who doesn't want a clean and aesthetic kitchen?

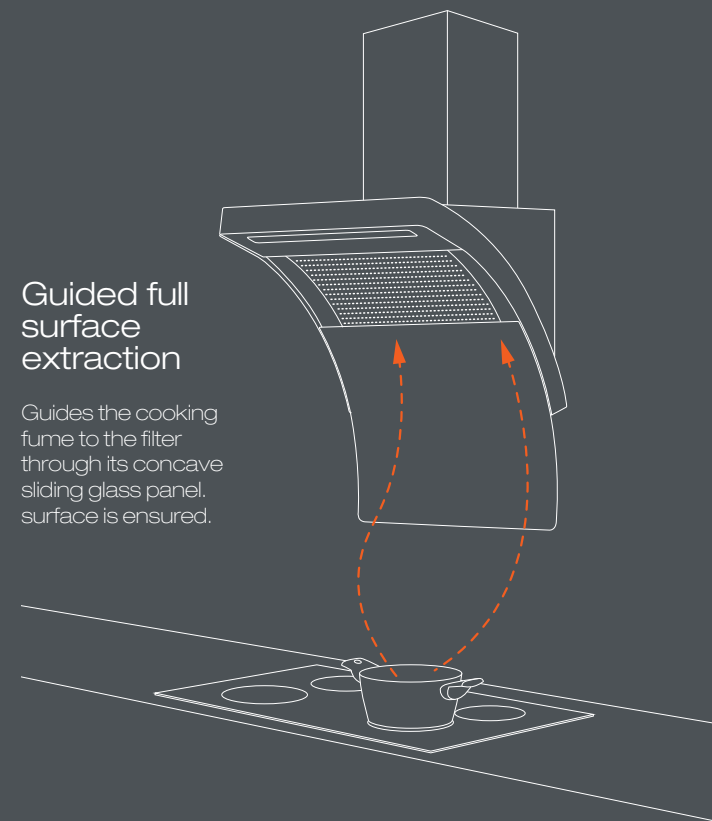
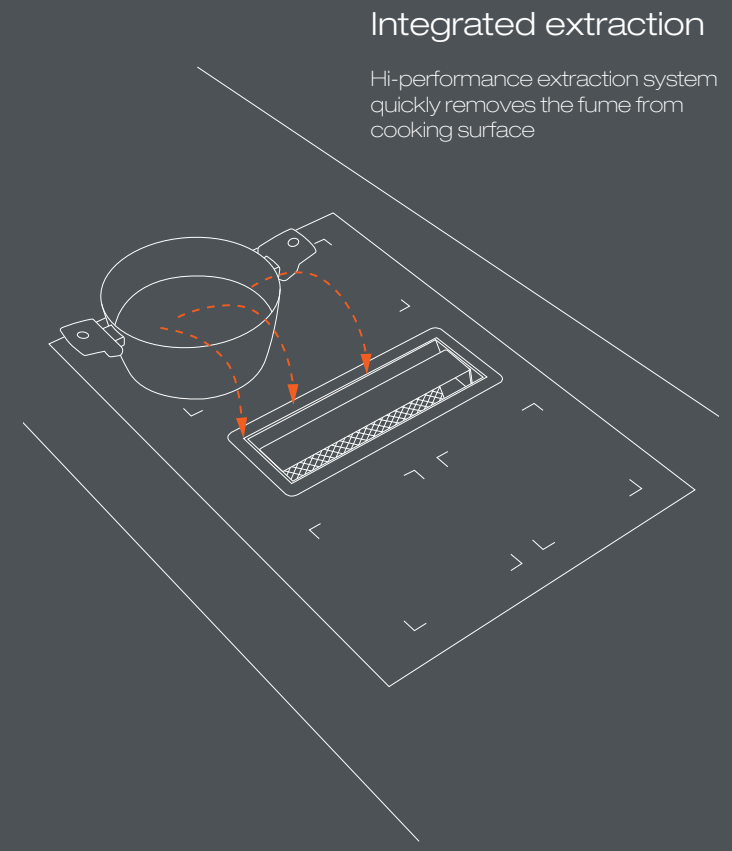
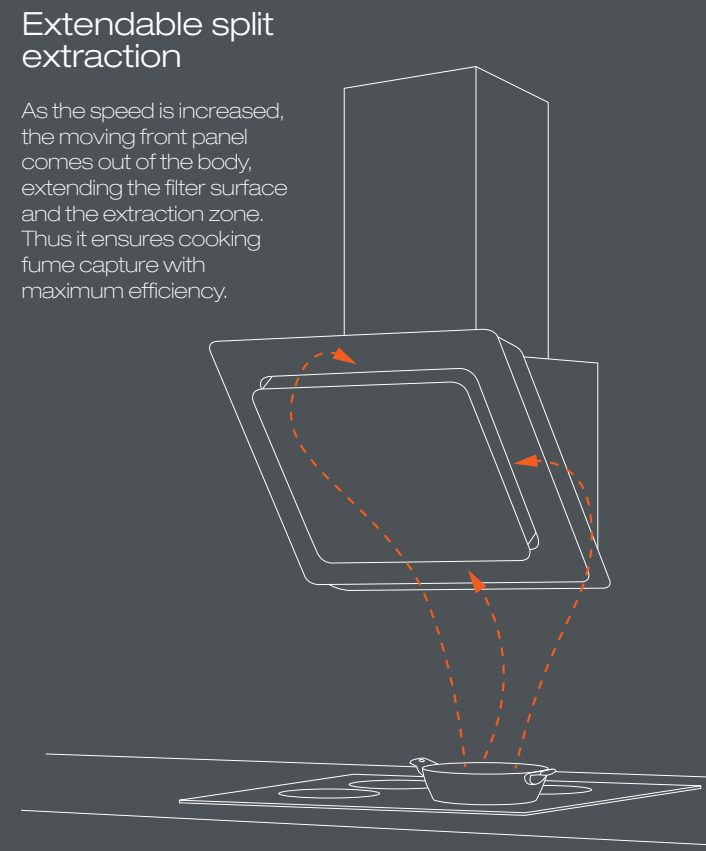
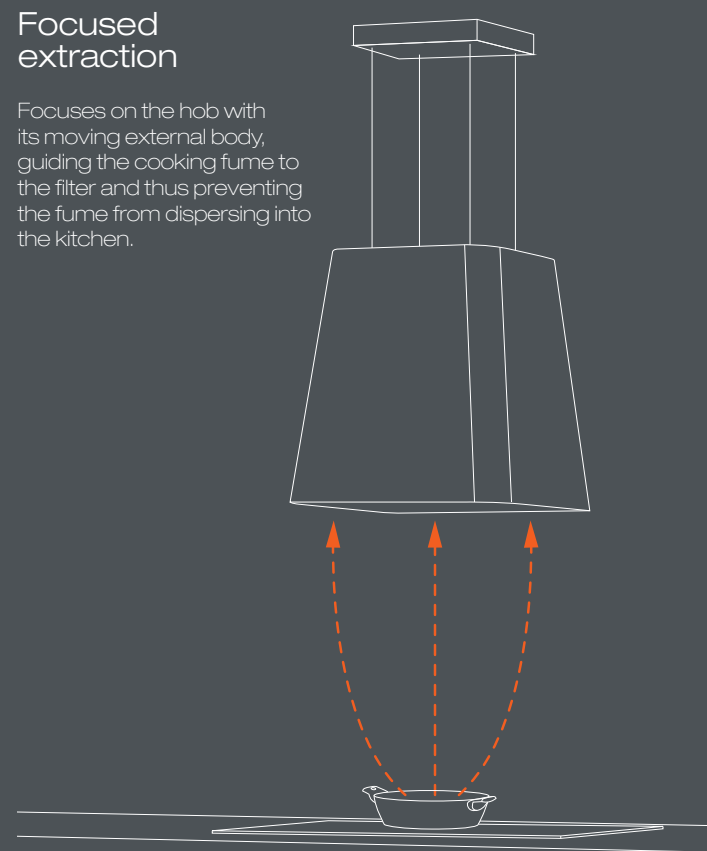
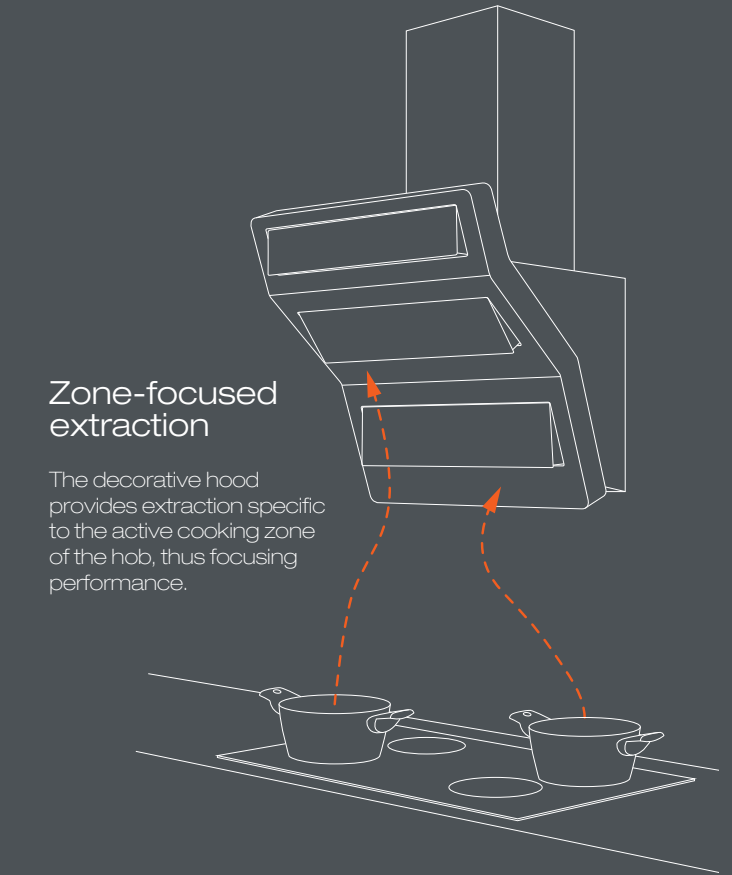
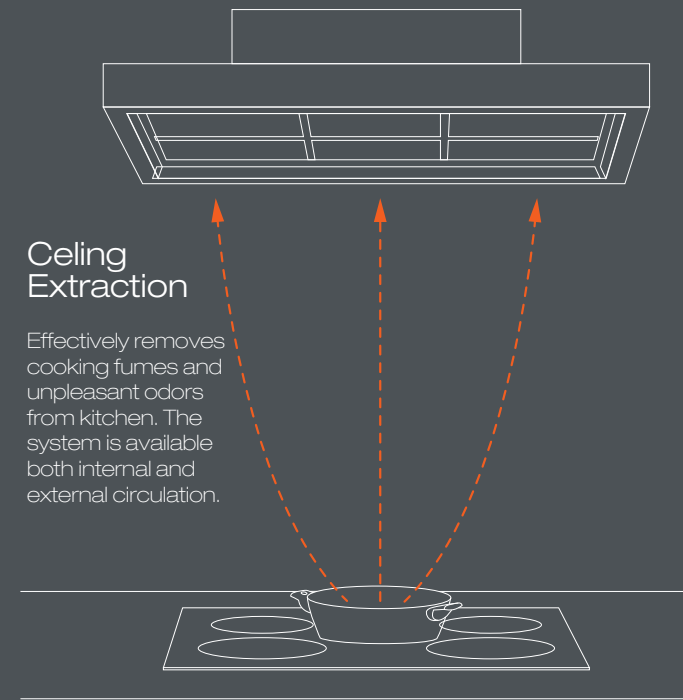
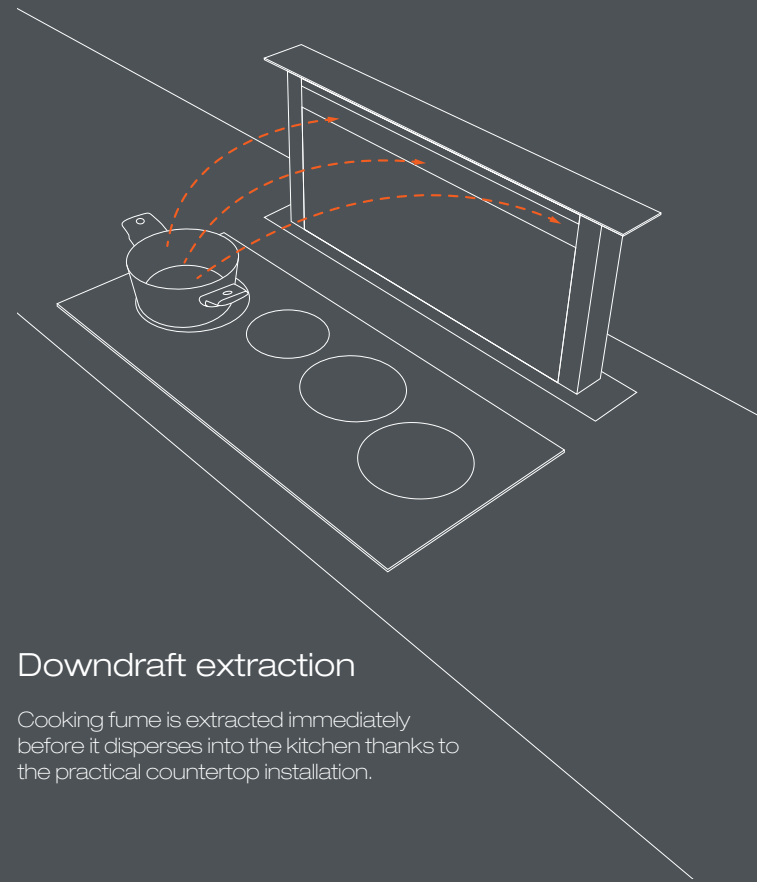


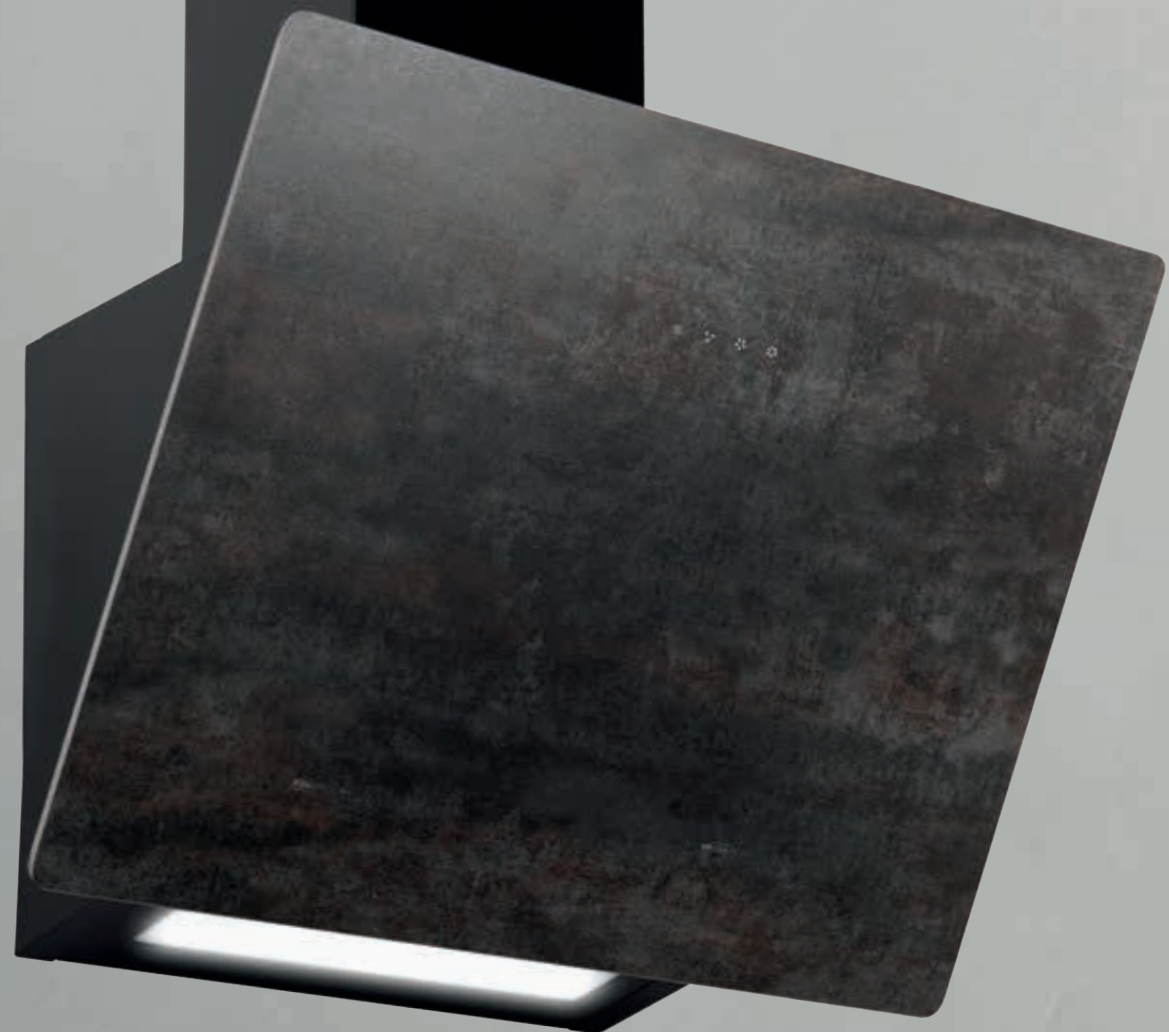
we manage extraction in many ways

Silverline hoods provide you with a fume-free and fresh kitchen thanks to their unique design and different extraction systems for all types of kitchens.

SILENCE

You can cook in peace in your kitchen with the noise level reduced down to 34 dB thanks to this feature.





ENERGY CLASS



HOB DISTANCE (ELECTRIC)

The distance between electric hob and hood.



LIGHTING (STANDARD)

The halogen lamp has high efficiency, quality of light, and high rated life.



HOB DISTANCE (GAS)

The distance between gas hob and hood.



LED LIGHTING

Provides higher brightness with lower energy.



CARBON FILTER

It makes sure your kitchen is kept odour-free. The filter filtrates vapours and grease created by cooking.



LED STRIPE LIGHTING

Provides flexibility and color options which make it perfectly suited for many lighting applications.



REMOTE CONTROL

Control with a functional remote controller.



RGB LED LIGHTING

The color of the light is adjusted with the remote control.



APP CONTROL

Control with iOS and/or Android applications.



TUNABLE LED LIGHTING

Temperature value of white color.



SILVER CONNECT

Automatic adjustment of the hood speed according to the air flow by the cooker with Bluetooth.



AUTOMATIC SENSORS

Automatic control for the functions.



EASY INSTALLATION

Easy installation of hoods via spending less time and energy



CUSTOMISATION

Provides panel options according to the customer's preference.



WEIGHT

The weight of hood.



HI SERIES

Guarantees brilliant cooking experience and fresh air by HI technologies.

WORKTOP HOODS

The integrated hood in hob extracts unpleasant odors and steam emitted during cooking directly from the source. This ensures continued clean air flow in the kitchen.



WORKTOP HOODS



3412 SUPREME

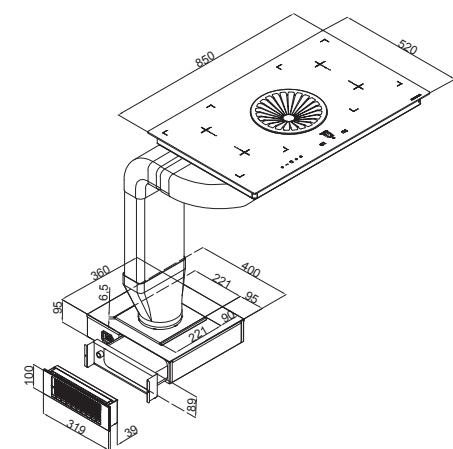
Technical Data

Category	Worktop Hoods
Size	85cm
Duct Out Version	Intern (Duct Out / Recirculation)
Finish	Aluminium + Tempered Glass

Performance Data

Max Flow Rate	648 m ³ /h
Max Noise Level	59 dB(A)
Total Absorption	150W
Filter	Stainless Steel Cassette Filter + Active Carbon Filter
Control	4S Touch Control
Lighting	/
Duct Size	220x89mm

Color	Grill Color
<input type="radio"/> Black <input type="radio"/> White	<input type="radio"/> Natural Al <input type="radio"/> Black <input type="radio"/> Bright Gold



3413 FLOW-IN

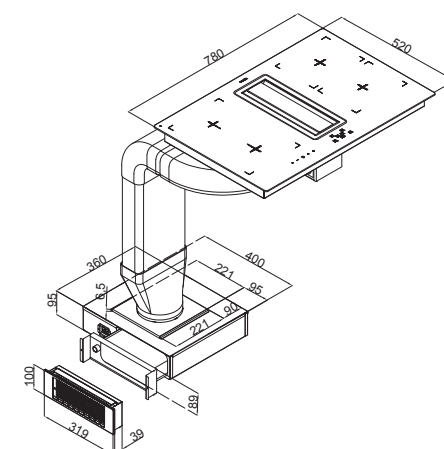
Technical Data

Category	Worktop Hoods
Size	78cm
Duct Out Version	Intern (Duct Out / Recirculation)
Finish	Inox + Tempered Glass

Performance Data

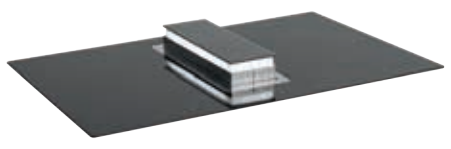
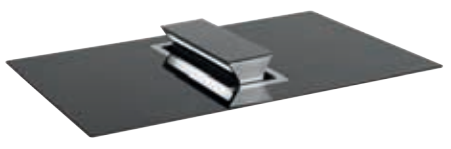
Max Flow Rate	648 m ³ /h
Max Noise Level	71 dB(A)
Total Absorption	150W
Filter	Stainless Steel Cassette Filter + Active Carbon Filter
Control	4S Touch Control
Lighting	/
Duct Size	220x89mm

Color	
<input type="radio"/> Black <input type="radio"/> White	





WORKTOP HOODS



3414 CAPTURE

Technical Data

Category	Worktop Hoods
Size	78cm
Duct Out Version	Intern (Duct Out / Recirculation)
Finish	Inox + Tempered Glass

Performance Data

Max Flow Rate	606 m ³ /h
Max Noise Level	71 dB(A)
Total Absorption	158W
Filter	Stainless Steel Cassette Filter + Active Carbon Filter
Control	4S Touch Control
Lighting	1x8W Led Stripe
Duct Size	220x89mm

Color



Black

3415 OVERALL

Technical Data

Category	Worktop Hoods
Size	78cm
Duct Out Version	Intern (Duct Out / Recirculation)
Finish	Inox + Tempered Glass

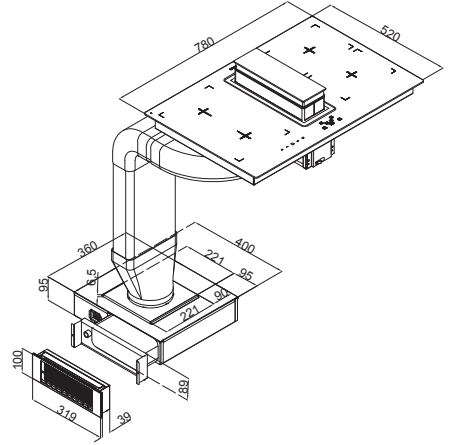
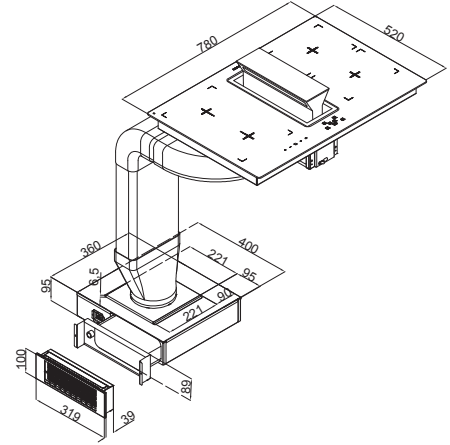
Performance Data

Max Flow Rate	553 m ³ /h
Max Noise Level	70 dB(A)
Total Absorption	162W
Filter	Stainless Steel Cassette Filter + Active Carbon Filter
Control	4S Touch Control
Lighting	1x12W Led Stripe
Duct Size	220x89mm

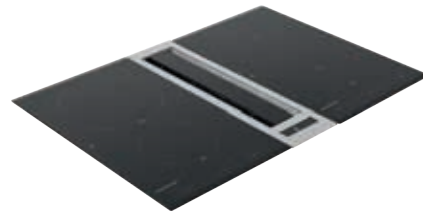
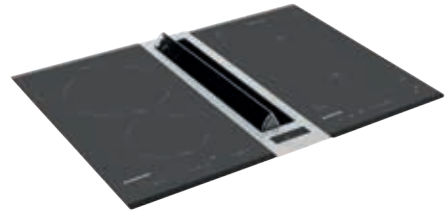
Color



Black



WORKTOP HOODS



3416 FREE FLOW

Technical Data

Category	Worktop Hoods
Size	40cm
Duct Out Version	Intern (Duct Out / Recirculation)
Finish	Inox

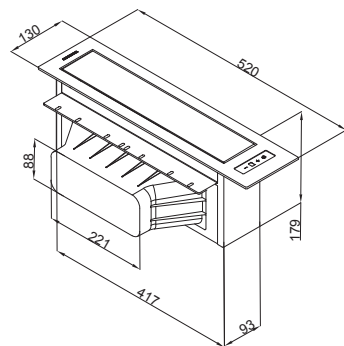
Performance Data

Max Flow Rate:	723 m ³ /h
Max Noise Level:	66 dB(A)
Total Absorption:	150W
Filter	Stainless Steel Cassette Filter + Active Carbon Filter
Control	3S+1B Touch Control
Lighting	/
Duct Size	220x89mm

Color



Inox



3417 DOUBLE FLOW

Technical Data

Category	Worktop Hoods
Size	40cm
Duct Out Version	Intern (Duct Out / Recirculation)
Finish	Inox + Tempered Glass

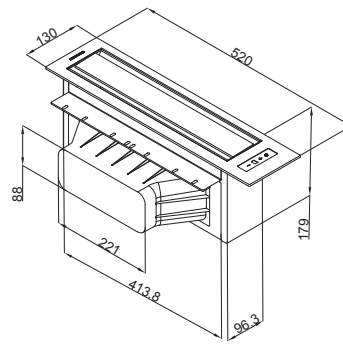
Performance Data

Max Flow Rate:	577 m ³ /h
Max Noise Level:	71 dB(A)
Total Absorption:	150W
Filter	Stainless Steel Cassette Filter + Active Carbon Filter
Control	4S Touch Control
Lighting	/
Duct Size	220x89mm

Color



Inox



WORKTOP HOODS



3410 DOWNDRAFT

Technical Data

Category	Worktop Hoods
Size	60 - 90 - 120cm
Duct Out Version	Intern (Duct Out / Recirculation)
Finish	Inox + Tempered Glass

Performance Data

Max Flow Rate:	813 m³/h
Max Noise Level:	62 dB(A)
Total Absorption:	282W
Filter	Stainless Steel Cassette Filter + Active Carbon Filter
Control	3S+1B Touch Control
Lighting	4x1,1W Power LED
Duct Size	150mm

Color

 Black




3411

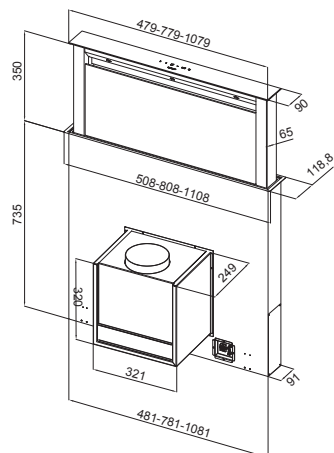
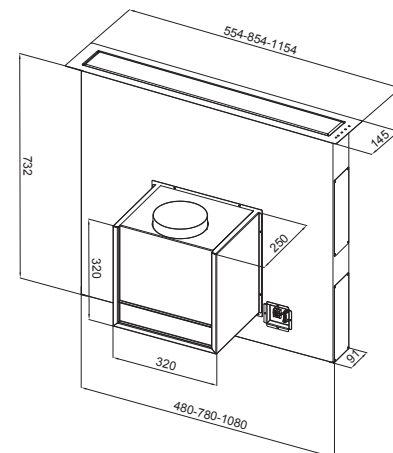
Technical Data

Category	Worktop Hoods
Size	60 - 90 - 120cm
Duct Out Version	Intern (Duct Out / Recirculation)
Finish	Inox

Performance Data

Max Flow Rate:	719 m³/h
Max Noise Level:	63 dB(A)
Total Absorption:	275W
Filter	Stainless Steel Cassette Filter + Active Carbon Filter
Control	3S+1B Soft Touch with Display
Lighting	/
Duct Size	150mm

Color

 Inox



■ SUSPENDED HOODS

Silverline's ergonomic designed suspended hoods offer you larger areas, making our lives easier.



SUSPENDED HOODS



4386 PURE PLUS

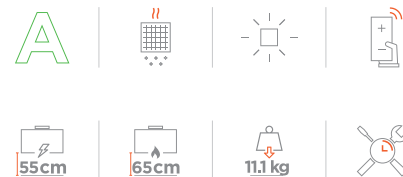
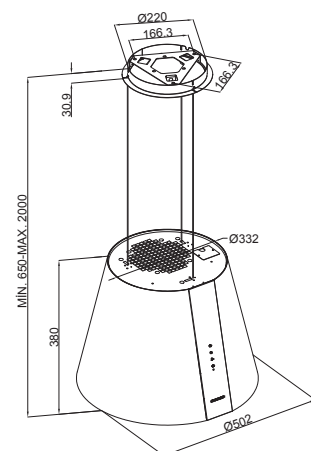
Technical Data

Category	Suspended Hoods
Size	50cm
Duct Out Version	Intern (Recirculation)
Finish	Inox + Tempered Glass

Performance Data

Max Flow Rate:	765 m³/h
Max Noise Level:	64 dB(A)
Total Absorption:	280W
Filter	Stainless Steel Cassette Filter + Carbon Filter
Control	2S+1B Touch Control
Lighting	2x2,5W D-LED
Duct Size	/

Color



4385 NEAT

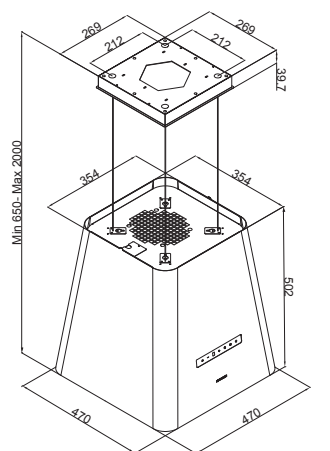
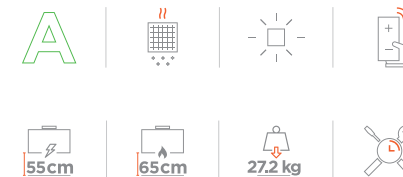
Technical Data

Category	Suspended Hoods
Size	50cm
Duct Out Version	Intern (Recirculation)
Finish	Inox + Tempered Glass

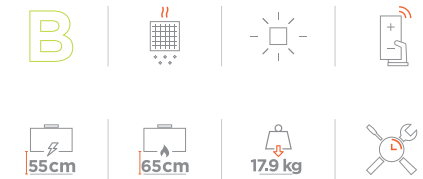
Performance Data

Max Flow Rate:	740 m³/h
Max Noise Level:	62 dB(A)
Total Absorption:	290W
Filter	Stainless Steel Cassette Filter + Carbon Filter
Control	3S+1B Touch Control
Lighting	1x15W LED
Duct Size	/

Color



SUSPENDED HOODS



4380 COMET ISOLA

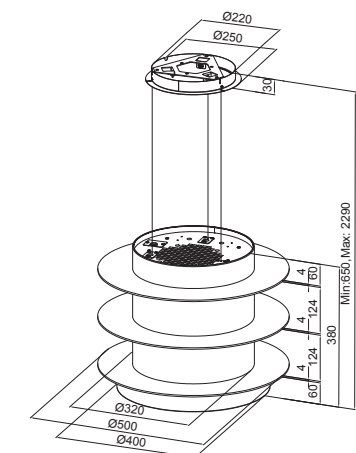
Technical Data

Category	Suspended Hoods
Size	50cm
Duct Out Version	Intern (Recirculation)
Finish	Inox + Tempered Glass

Performance Data

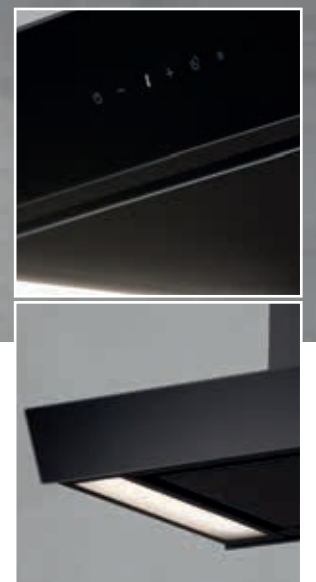
Max Flow Rate:	621 m ³ /h
Max Noise Level:	70 dB(A)
Total Absorption:	281W
Filter	Stainless Steel Cassette Filter + Charcoal Carbon Filter
Control	4S Soft Touch with Display
Lighting	3x1,1 Power LED
Duct Size	/

Color





anti-finger inox surface eliminates the problems of fingerprint and dirtiness thanks to the surface coating of advanced technology and offers a quality and long life



4203

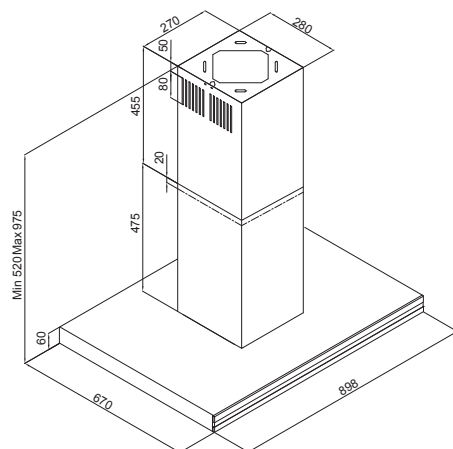
Technical Data

Category	Island Hoods
Size	90cm
Duct Out Version	Intern (Duct Out / Recirculation)
Finish	Inox + Tempered Glass

Performance Data

Max Flow Rate:	725 m ³ /h
Max Noise Level:	64 dB(A)
Total Absorption:	279W
Filter	Aluminium Cassette Filter + Optional Carbon Filter
Control	4S+1B Touch Control
Lighting	8x1,1W Power LED
Duct Size	150mm

Color



4207

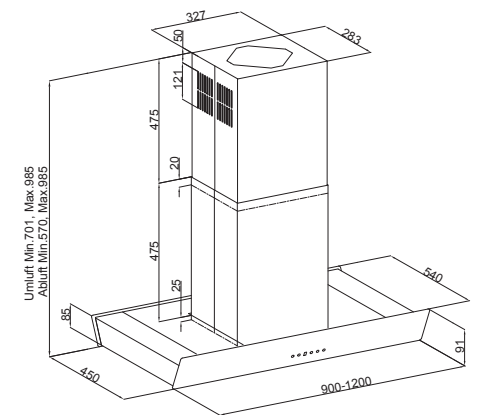
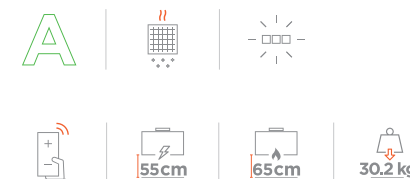
Technical Data

Category	Island Hoods
Size	90 - 120cm
Duct Out Version	Intern (Duct Out / Recirculation)
Finish	Inox + Tempered Glass

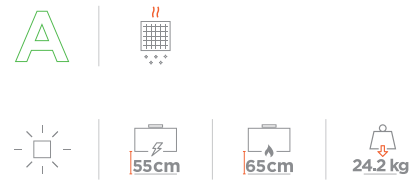
Performance Data

Max Flow Rate:	738 m ³ /h
Max Noise Level:	62 dB(A)
Total Absorption:	274W
Filter	Stainless Steel Cassette Filter + Charcoal Carbon Filter
Control	3S+1B Touch Control
Lighting	2x4,5W LED Stripe
Duct Size	150mm

Color



ISLAND HOODS



4110

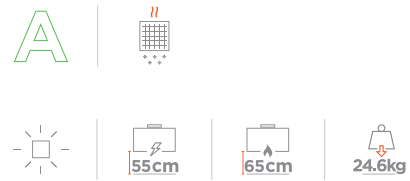
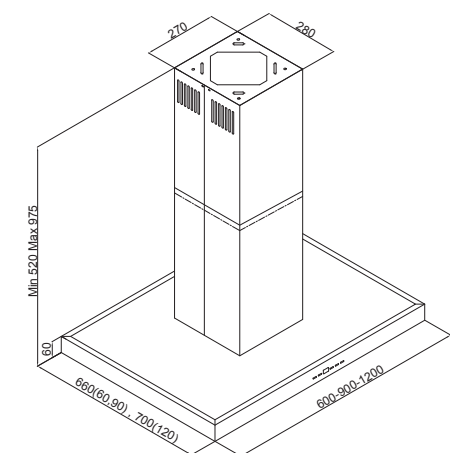
Technical Data

Category	Island Hoods
Size	60 - 90 - 120cm
Duct Out Version	Intern (Duct Out / Recirculation)
Finish	Inox

Performance Data

Max Flow Rate:	765 m ³ /h
Max Noise Level:	62 dB(A)
Total Absorption:	278W
Filter	Aluminium Cassette Filter + Optional Carbon Filter
Control	3S+1B Soft Touch with Display
Lighting	2x1,5W G4 LED
Duct Size	150mm

Color



4140

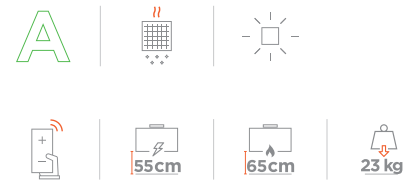
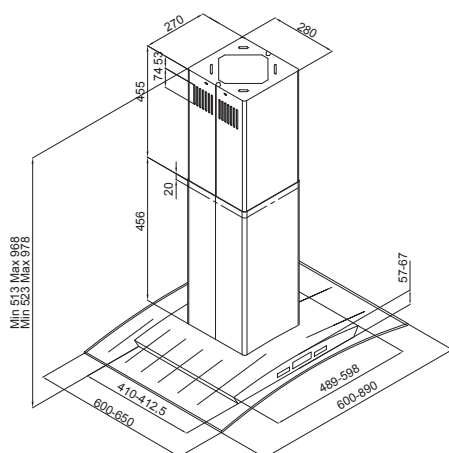
Technical Data

Category	Island Hoods
Size	60 - 90cm
Duct Out Version	Intern (Duct Out / Recirculation)
Finish	Inox + Tempered Glass

Performance Data

Max Flow Rate:	750 m ³ /h
Max Noise Level:	65 dB(A)
Total Absorption:	278W
Filter	Aluminium Cassette Filter + Optional Carbon Filter
Control	3S+1B Soft Touch with LCD
Lighting	2x1,5W G4 LED
Duct Size	150mm

Color



4170

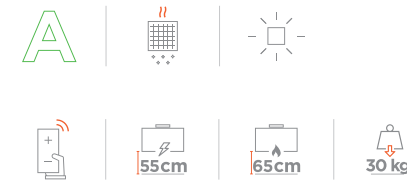
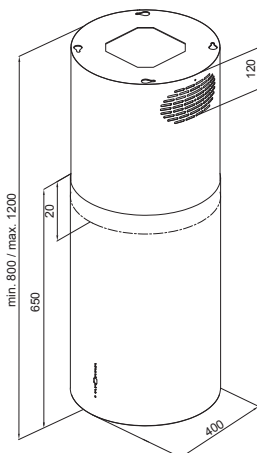
Technical Data

Category	Island Hoods
Size	40cm
Duct Out Version	Intern (Duct Out / Recirculation)
Finish	Inox

Performance Data

Max Flow Rate:	739 m ³ /h
Max Noise Level:	63 dB(A)
Total Absorption:	278W
Filter	Aluminium Cassette Filter + Optional Carbon Filter
Control	3S+1B Soft Touch with Display
Lighting	2x1,5W G4 LED
Duct Size	150mm

Color



4180

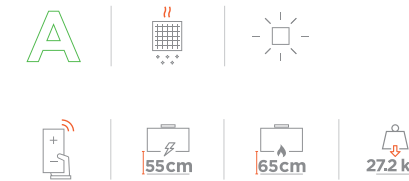
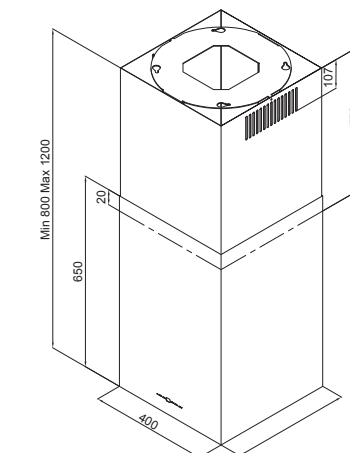
Technical Data

Category	Island Hoods
Size	40cm
Duct Out Version	Intern (Duct Out / Recirculation)
Finish	Inox

Performance Data

Max Flow Rate:	700 m ³ /h
Max Noise Level:	54 dB(A)
Total Absorption:	269W
Filter	Aluminium Cassette Filter + Optional Carbon Filter
Control	4S+1B Soft Touch with Display
Lighting	2x1,5W G4 LED
Duct Size	150mm

Color



4204

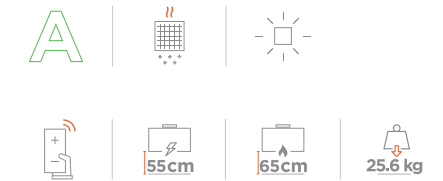
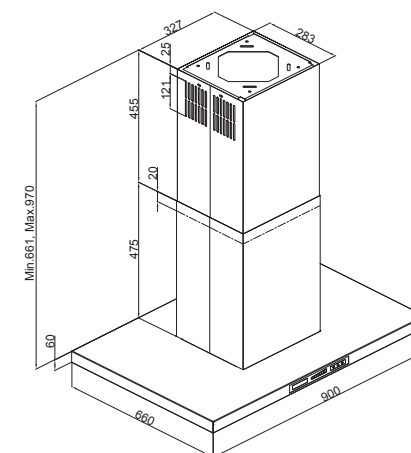
Technical Data

Category	Island Hoods
Size	90cm
Duct Out Version	Intern (Duct Out / Recirculation)
Finish	Inox + Tempered Glass

Performance Data

Max Flow Rate:	752 m ³ /h
Max Noise Level:	64 dB(A)
Total Absorption:	279W
Filter	Stainless Steel Cassette Filter + Charcoal Carbon Filter
Control	3S+1B Touch Control
Lighting	8x1,1W Power LED
Duct Size	150mm

Color



4250

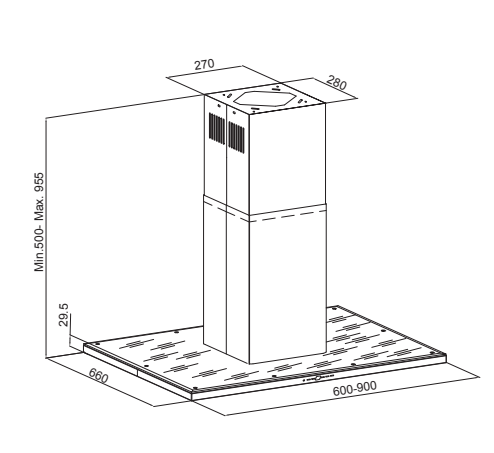
Technical Data

Category	Island Hoods
Size	60 - 90cm
Duct Out Version	Intern (Duct Out / Recirculation)
Finish	Inox + Tempered Glass

Performance Data

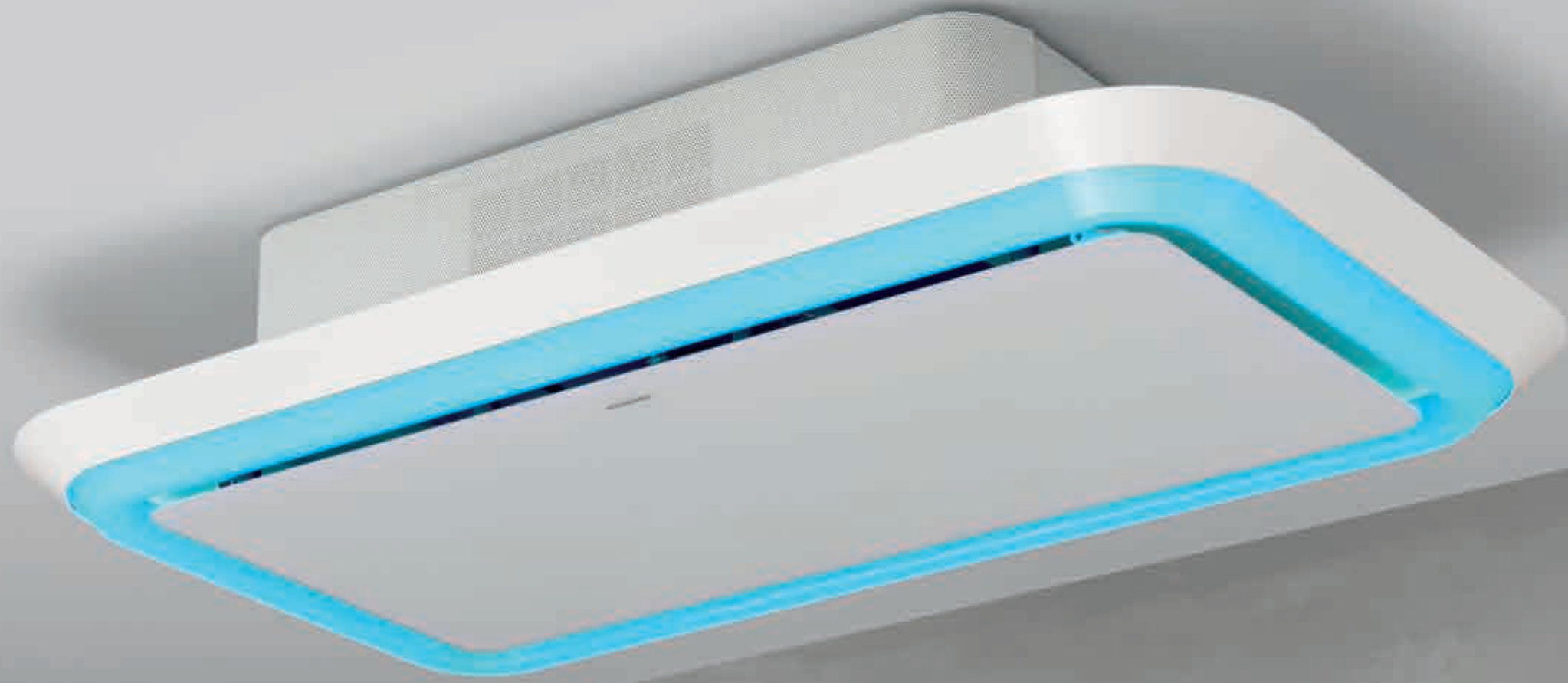
Max Flow Rate:	753 m ³ /h
Max Noise Level:	66 dB(A)
Total Absorption:	281W
Filter	Aluminium Cassette Filter + Optional Carbon Filter
Control	3S+1B Soft Touch with Display
Lighting	4x1,5W G4 LED
Duct Size	150mm

Color



■ CEILING HOODS

Ceiling-mounted extractor hoods by Silverline are designed to meet consumer needs and expectations by combining elegance and functionality with the aim of turning modern kitchens into comfortable living spaces.





4265 SIDELIGHTED



Technical Data



Category	Ceiling Hoods
Size	100 - 120cm
Duct Out Version	Extern / Intern (Duct Out / Recirculation)
Finish	Inox + Tempered Glass

Performance Data

Max Flow Rate:	602 m³/h
Max Noise Level:	72 dB(A)
Total Absorption:	137W
Filter	Stainless Steel Cassette Filter + Active Carbon Filter
Control	4S Remote Control
Lighting	1x35W LED Stripe
Duct Size	/

Options

RGB + Tunable White
Tunable White
Silverconnect + Silverwire

Color


 Black White



4267 LIGHTBOX

Technical Data



Category	Ceiling Hoods
Size	100 - 120cm
Duct Out Version	Intern (Duct Out/ Recirculation)
Finish	Inox + Tempered Glass

Performance Data

Max Flow Rate:	678 m³/h
Max Noise Level:	73 dB(A)
Total Absorption:	137W
Filter	Stainless Steel Cassette Filter + Active Carbon Filter
Control	3S+1B Remote Control
Lighting	1x35W LED Stripe
Duct Size	/

Options

RGB + Tunable White
Tunable White

Color


 Black White



SLIDE TO HEAVEN

DESIGN AND FUNCTIONALITY TOGETHER

Standing out with its strong lighting function, Slide to Heaven also creates a clear environment with its extraction performance. Its award-winning design is a complementary accessory for modern kitchens.



4266 SLIDE TO HEAVEN

Technical Data

Category	Ceiling Hoods
Size	100 - 120cm
Duct Out Version	Extern / Intern (Duct Out / Recirculation)
Finish	Inox

Performance Data

Max Flow Rate:	590 m ³ /h
Max Noise Level:	76 dB(A)
Total Absorption:	134W
Filter	Stainless Steel Cassette Filter + Active Carbon Filter
Control	4S Remote Control
Lighting	1x32W LED Stripe
Duct Size	/

Options

Silverconnect + Silverwire

Color



4264 SQUARE BOX

Technical Data

Category	Ceiling Hoods
Size	100 - 120cm
Duct Out Version	Intern (Duct Out / Recirculation)
Finish	Inox + Tempered Glass

Performance Data

Max Flow Rate:	578 m ³ /h
Max Noise Level:	73 dB(A)
Total Absorption:	130W
Filter	Stainless Steel Cassette Filter + Active Carbon Filter
Control	4S Remote Control
Lighting	1x28W LED Stripe
Duct Size	/

Options

Silverconnect + Silverwire

Color



4269 ONE STRIPE

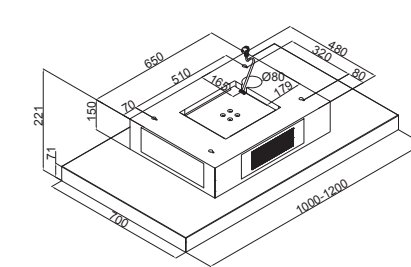
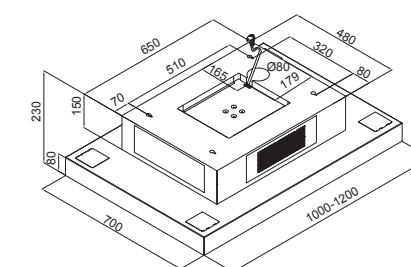
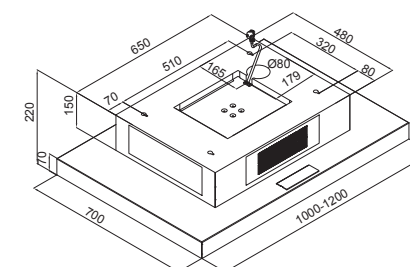
Technical Data

Category	Ceiling Hoods
Size	100 - 120cm
Duct Out Version	Intern (Duct Out / Recirculation)
Finish	Inox + Tempered Glass

Performance Data

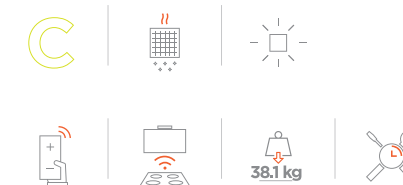
Max Flow Rate:	590 m ³ /h
Max Noise Level:	73 dB(A)
Total Absorption:	132W
Filter	Stainless Steel Cassette Filter + Active Carbon Filter
Control	4S Remote Control
Lighting	1x30W LED Stripe
Duct Size	/

Color





CEILING HOODS



4262 SKYDOOR

Technical Data

Category	Ceiling Hoods
Size	100 - 120cm
Duct Out Version	Extern / Intern (Duct Out Recirculation)
Finish	Inox + Tempered Glass

Performance Data

Max Flow Rate:	649 m ³ /h
Max Noise Level:	68 dB(A)
Total Absorption:	137W
Filter	Stainless Steel Cassette Filter + Active Carbon Filter
Control	4S Remote Control
Lighting	1x50W LED Stripe
Duct Size	/

Options

Silverconnect + Silverwire

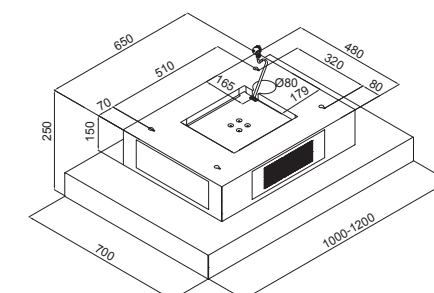
Color



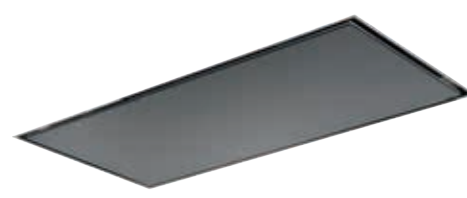
Pattern



Natural White Optic Water Optic Sky Optic City Optic Wood



CEILING HOODS



4260 NIGHT

Technical Data

Category	Ceiling Hoods
Size	90 - 120cm
Duct Out Version	Extern / Intern (Duct Out Recirculation)
Finish	Tempered Glass

Performance Data

Max Flow Rate:	758 m³/h
Max Noise Level:	62 dB(A)
Total Absorption:	290W
Filter	Aluminium Cassette Filter + Optional Carbon Filter
Control	3S+1B Remote Control
Lighting	15W Micro LED
Duct Size	150mm

Color



4229

Technical Data

Category	Ceiling Hoods
Size	90 - 100 - 120cm
Duct Out Version	Extern / Intern (Duct Out Recirculation)
Finish	Tempered Glass

Performance Data

Max Flow Rate:	773 m³/h
Max Noise Level:	61 dB(A)
Total Absorption:	286W
Filter	Aluminium Cassette Filter + Optional Carbon Filter
Control	3S+1B Remote Control
Lighting	3x3,5W LED
Duct Size	150mm

Color



4227 ROOF

Technical Data

Category	Ceiling Hoods
Size	100 - 120cm
Duct Out Version	Extern
Finish	Tempered Glass

Performance Data

Max Flow Rate:	786 m³/h
Max Noise Level:	60 dB(A)
Total Absorption:	/
Filter	Aluminium Cassette Filter
Control	2S+2B Remote Control
Lighting	/
Duct Size	/

Color



4226

Technical Data

Category	Ceiling Hoods
Size	100 - 120cm
Duct Out Version	Intern (Duct Out / Recirculation)
Finish	Tempered Glass

Performance Data

Max Flow Rate:	785 m³/h
Max Noise Level:	64 dB(A)
Total Absorption:	288W
Filter	Stainless Steel Cassette Filter + Charcoal Carbon Filter
Control	3S+1B Remote Control
Lighting	4x3W LED
Duct Size	150mm

Color



4225

Technical Data

Category	Ceiling Hoods
Size	100 - 120cm
Duct Out Version	Intern (Duct Out / Recirculation)
Finish	Inox + Tempered Glass

Performance Data

Max Flow Rate:	753 m³/h
Max Noise Level:	59 dB(A)
Total Absorption:	295W
Filter	Stainless Steel Cassette Filter + Charcoal Carbon Filter
Control	3S+1B Remote Control
Lighting	6x3W LED
Duct Size	150mm

Color



4224

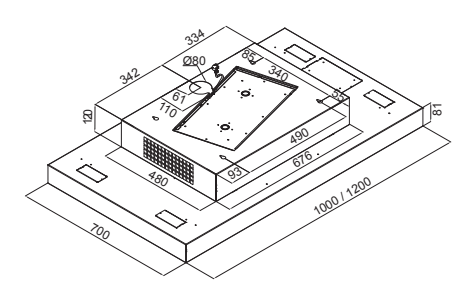
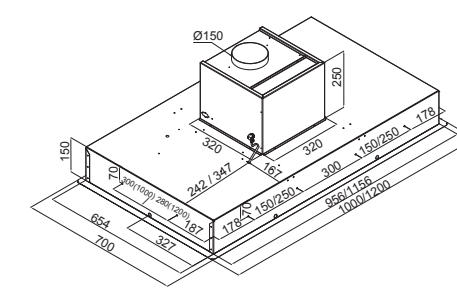
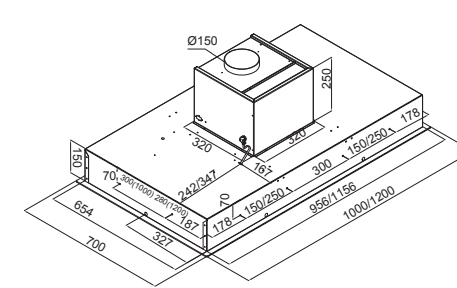
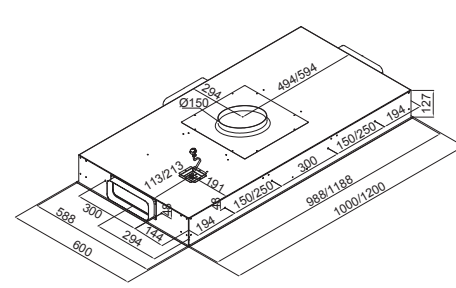
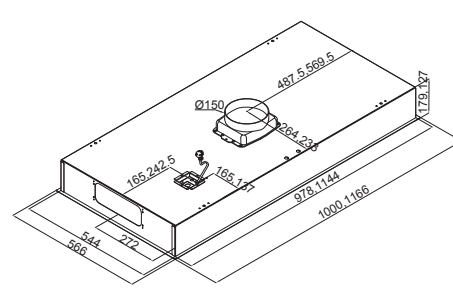
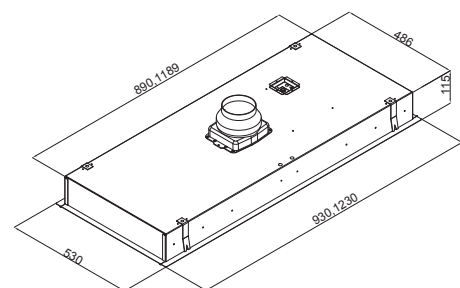
Technical Data

Category	Ceiling Hoods
Size	100 - 120cm
Duct Out Version	Extern / Intern (Duct Out Recirculation)
Finish	Inox + Tempered Glass

Performance Data

Max Flow Rate:	679 m³/h
Max Noise Level:	60 dB(A)
Total Absorption:	338W
Filter	Stainless Steel Cassette Filter + Active Carbon Filter
Control	3S+1B Remote Control
Lighting	6x3W LED
Duct Size	/

Color



■ WALL-MOUNTED HOODS

Silverline's wall-mounted hoods can serve as a design element in your kitchen, adding a distinctive look to your cook space depending on the product style you choose.



WALL-MOUNTED HOODS



3472 BOLD

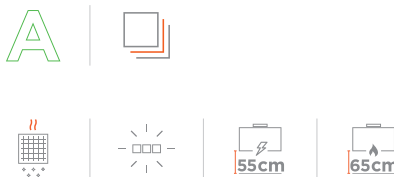
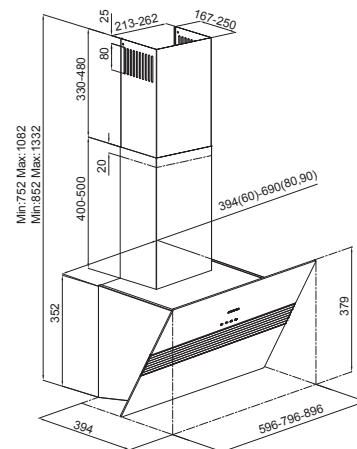
Technical Data

Category	Wall Type Hoods
Size	60 - 80 - 90cm
Duct Out Version	Intern (Duct Out / Recirculation)
Finish	Aluminium + Tempered Glass

Performance Data

Max Flow Rate:	628 m ³ /h
Max Noise Level:	61 dB(A)
Total Absorption:	285W
Filter	Aluminium Casette Filter + Optional Carbon Filter
Control	3S Touch Control
Lighting	1x10W LED Stripe
Duct Size	150mm

Color		Grill Color	
	Black White Grey Mink		Natural Al Dark Inox Bright Gold Rose Bronze



3433 SLIDE DOWN

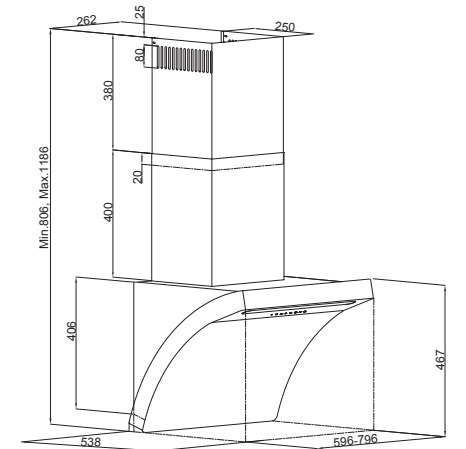
Technical Data

Category	Wall Type Hoods
Size	60 - 80cm
Duct Out Version	Intern (Duct Out / Recirculation)
Finish	Inox + Tempered Glass

Performance Data

Max Flow Rate:	742 m ³ /h
Max Noise Level:	62 dB(A)
Total Absorption:	176W
Filter	Aluminium Casette Filter + Optional Carbon Filter
Control	3S+1B Touch Control
Lighting	1x10,5W LED Stripe
Duct Size	150mm

Color	
	Black White





Alexa

Pop Out Hi allows you to control the cooker and hood over the touch screen, as well as the voice command feature.



Precise Sensors

You can measure the humidity, heat and quality of air in the environment and manage them online.

Pop Out Hi is able to understand and consider the quality of interior to activate the system if it is necessary.



Media

With its camera, you can shoot photos, share your cook via social media, also you are able to connect to the product to see the environment when you are away.



Chef

With telephone and tablet applications, you can check and cook for ready-made recipes.



Monitoring

Thanks to the iOS & Android based application, you can control all data of the hood with one control unit.



POP OUT

Silverline Hi Series guarantee brilliant cooking experience and fresh air by simply activating and controlling hob and hood. Also the series offer the opportunity to control air quality in the domestic environment, even while away from your home.



SILVERLINE

the extendable colored filter gradually pops out as the speed is increased and expands the extraction zone, thus ensuring cooking fume capture with maximum efficiency.

illuminates the whole cooking area thanks to the ergonomic lighting.

pop-out

a new dimension in product experience
intuitive interaction through form



WALL-MOUNTED HOODS



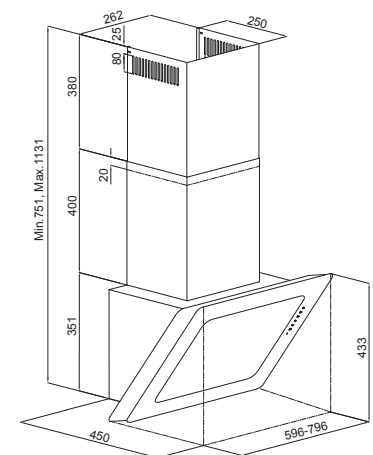
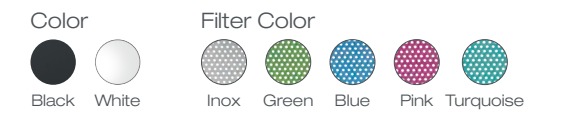
3431 POP OUT

Technical Data

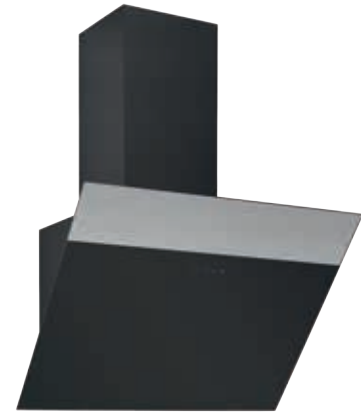
Category	Wall Type Hoods
Size	60 - 80cm
Duct Out Version	Intern (Duct Out / Recirculation)
Finish	Inox + Tempered Glass

Performance Data

Max Flow Rate:	736 m³/h
Max Noise Level:	62 dB(A)
Total Absorption:	177W
Filter	Aluminium Cassette Filter + Optional Carbon Filter
Control	2S+1B Touch Control
Lighting	1x12W LED Stripe
Duct Size	150mm



WALL-MOUNTED HOODS



3474 STRONG

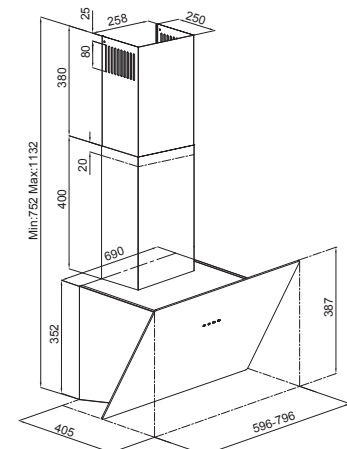
Technical Data

Category	Wall Type Hoods
Size	60 - 80cm
Duct Out Version	Intern (Duct Out / Recirculation)
Finish	Ceracor / Corian

Performance Data

Max Flow Rate:	736 m ³ /h
Max Noise Level:	59 dB(A)
Total Absorption:	285W
Filter	Aluminium Cassette Filter + Optional Carbon Filter
Control	2S+1B Touch Control
Lighting	1x10W LED Stripe
Duct Size	150mm

Color



3457 SOHO

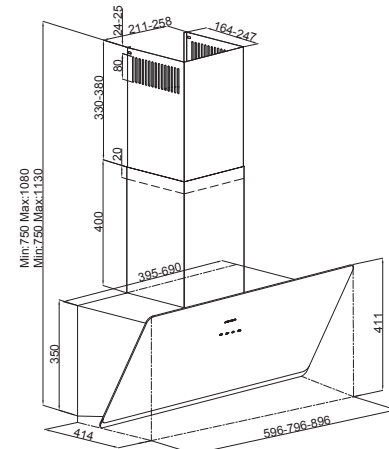
Technical Data

Category	Wall Type Hoods
Size	60 - 80 - 90cm
Duct Out Version	Intern (Duct Out / Recirculation)
Finish	Tempered Glass

Performance Data

Max Flow Rate:	628 m ³ /h
Max Noise Level:	61 dB(A)
Total Absorption:	285W
Filter	Aluminium Cassette Filter + Optional Carbon Filter
Control	3S Touch Control
Lighting	1x10W LED Stripe
Duct Size	150mm

Color



3457

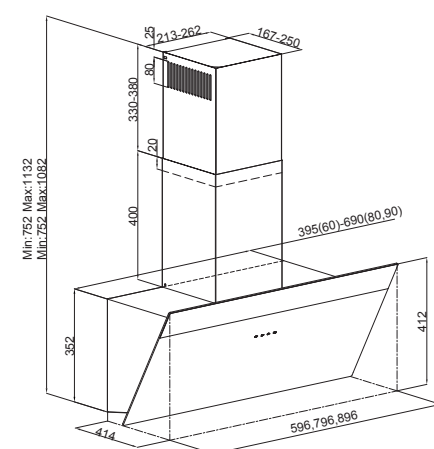
Technical Data

Category	Wall Type Hoods
Size	60 - 80 - 90cm
Duct Out Version	Intern (Duct Out / Recirculation)
Finish	Inox + Tempered Glass

Performance Data

Max Flow Rate:	661 m ³ /h
Max Noise Level:	55 dB(A)
Total Absorption:	216W
Filter	Aluminium Cassette Filter + Optional Carbon Filter
Control	2S+1B Touch Control
Lighting	2x3W LED
Duct Size	150mm

Color



3455

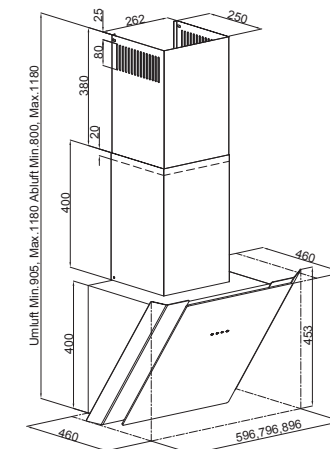
Technical Data

Category	Wall Type Hoods
Size	60 - 80 - 90cm
Duct Out Version	Intern (Duct Out / Recirculation)
Finish	Inox + Tempered Glass

Performance Data

Max Flow Rate:	670 m ³ /h
Max Noise Level:	56 dB(A)
Total Absorption:	216W
Filter	Aluminium Cassette Filter + Optional Carbon Filter
Control	2S+1B Touch Control
Lighting	2x3W LED
Duct Size	150mm

Color



3454

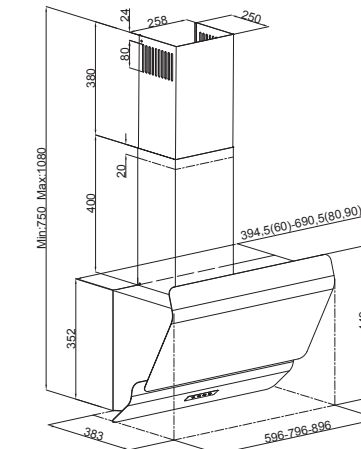
Technical Data

Category	Wall Type Hoods
Size	60 - 80 - 90cm
Duct Out Version	Intern (Duct Out / Recirculation)
Finish	Inox

Performance Data

Max Flow Rate:	647 m ³ /h
Max Noise Level:	65 dB(A)
Total Absorption:	216W
Filter	Aluminium Cassette Filter + Optional Carbon Filter
Control	3S Touch Control
Lighting	2x3W LED
Duct Size	150mm

Color



3450

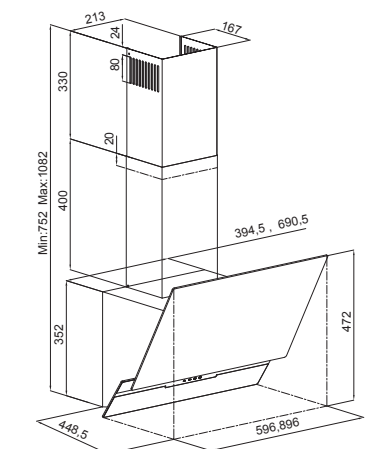
Technical Data

Category	Wall Type Hoods
Size	60 - 90cm
Duct Out Version	Intern (Duct Out / Recirculation)
Finish	Inox + Tempered Glass

Performance Data

Max Flow Rate:	628 m ³ /h
Max Noise Level:	65 dB(A)
Total Absorption:	216W
Filter	Aluminium Cassette Filter + Optional Carbon Filter
Control	3S Touch Control
Lighting	2x3W LED
Duct Size	150mm

Color



WALL-MOUNTED HOODS



A



3445

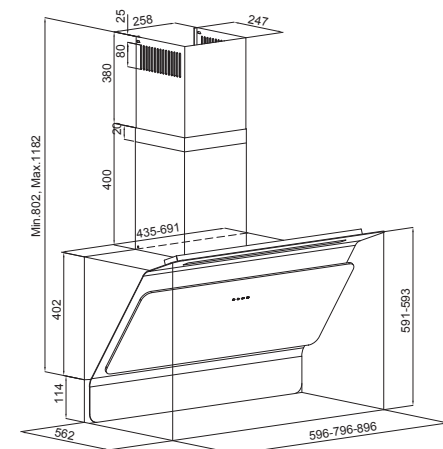
Technical Data

Category	Wall Type Hoods
Size	60 - 80 - 90cm
Duct Out Version	Intern (Duct Out / Recirculation)
Finish	Inox + Tempered Glass

Performance Data

Max Flow Rate:	654 m ³ /h
Max Noise Level:	61 dB(A)
Total Absorption:	225W
Filter	Aluminium Cassette Filter + Optional Carbon Filter
Control	2S+1B Touch Control
Lighting	1x15W LED Stripe
Duct Size	150mm

Color



A



3444

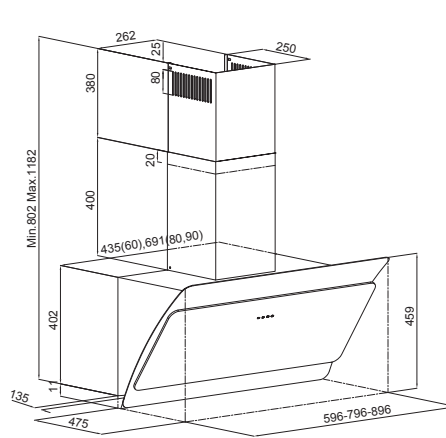
Technical Data

Category	Wall Type Hoods
Size	60 - 80 - 90cm
Duct Out Version	Intern (Duct Out / Recirculation)
Finish	Inox + Tempered Glass

Performance Data

Max Flow Rate:	660 m ³ /h
Max Noise Level:	57 dB(A)
Total Absorption:	216W
Filter	Aluminium Cassette Filter + Optional Carbon Filter
Control	2S+1B Touch Control
Lighting	2x3W LED
Duct Size	150mm

Color



A+



3429

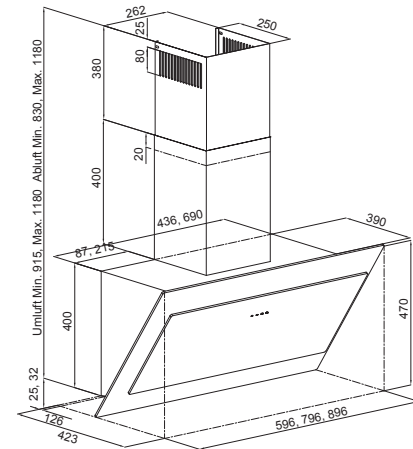
Technical Data

Category	Wall Type Hoods
Size	60 - 80 - 90cm
Duct Out Version	Intern (Duct Out / Recirculation)
Finish	Inox + Tempered Glass

Performance Data

Max Flow Rate:	773 m ³ /h
Max Noise Level:	62 dB(A)
Total Absorption:	281W
Filter	Aluminium Cassette Filter + Optional Carbon Filter
Control	2S+1B Touch Control
Lighting	2x3W LED
Duct Size	150mm

Color



A



3424

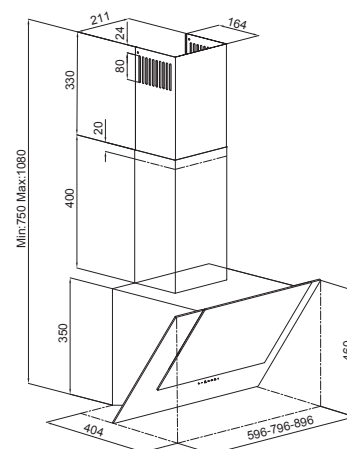
Technical Data

Category	Wall Type Hoods
Size	60 - 80 - 90cm
Duct Out Version	Intern (Duct Out / Recirculation)
Finish	Tempered Glass

Performance Data

Max Flow Rate:	629 m ³ /h
Max Noise Level:	66 dB(A)
Total Absorption:	216W
Filter	Aluminium Cassette Filter + Optional Carbon Filter
Control	3S Touch Control
Lighting	2x3W LED
Duct Size	150mm

Color



A



3423

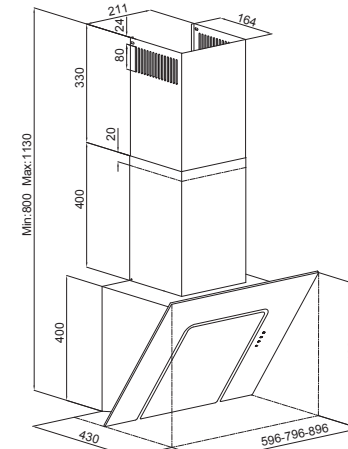
Technical Data

Category	Wall Type Hoods
Size	60 - 80 - 90cm
Duct Out Version	Intern (Duct Out / Recirculation)
Finish	Tempered Glass

Performance Data

Max Flow Rate:	649 m ³ /h
Max Noise Level:	68 dB(A)
Total Absorption:	216W
Filter	Aluminium Cassette Filter + Optional Carbon Filter
Control	3S Touch Control
Lighting	2x3W LED
Duct Size	150mm

Color



A



3422

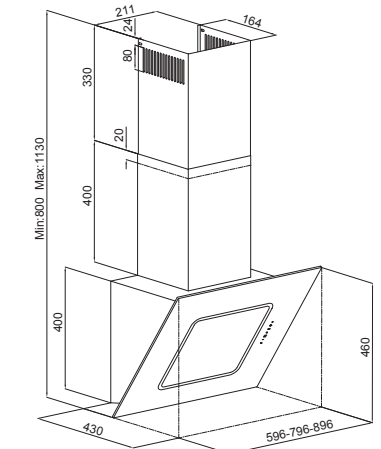
Technical Data

Category	Wall Type Hoods
Size	60 - 80 - 90cm
Duct Out Version	Intern (Duct Out / Recirculation)
Finish	Tempered Glass

Performance Data

Max Flow Rate:	647 m ³ /h
Max Noise Level:	64 dB(A)
Total Absorption:	216W
Filter	Aluminium Cassette Filter + Optional Carbon Filter
Control	3S Touch Control
Lighting	2x3W LED
Duct Size	150mm

Color



WALL-MOUNTED HOODS



A



A



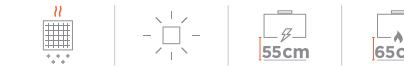
A



A



A+



A+



3420

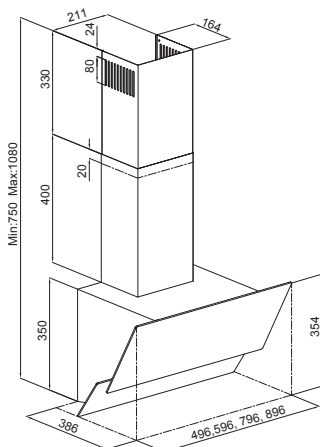
Technical Data

Category	Wall Type Hoods
Size	50 - 60 - 80 - 90cm
Duct Out Version	Intern (Duct Out / Recirculation)
Finish	Tempered Glass

Performance Data

Max Flow Rate:	628 m ³ /h
Max Noise Level:	64 dB(A)
Total Absorption:	216W
Filter	Aluminium Cassette Filter + Optional Carbon Filter
Control	3S Touch Control
Lighting	2x3W LED
Duct Size	150mm

Color



3374

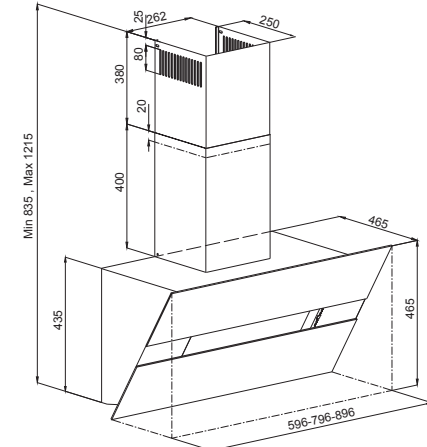
Technical Data

Category	Wall Type Hoods
Size	60 - 80 - 90cm
Duct Out Version	Intern (Duct Out / Recirculation)
Finish	Inox + Tempered Glass

Performance Data

Max Flow Rate:	635 m ³ /h
Max Noise Level:	63 dB(A)
Total Absorption:	216W
Filter	Aluminium Cassette Filter + Optional Carbon Filter
Control	3S Soft Touch with Display
Lighting	2x3W LED
Duct Size	150mm

Color



3370

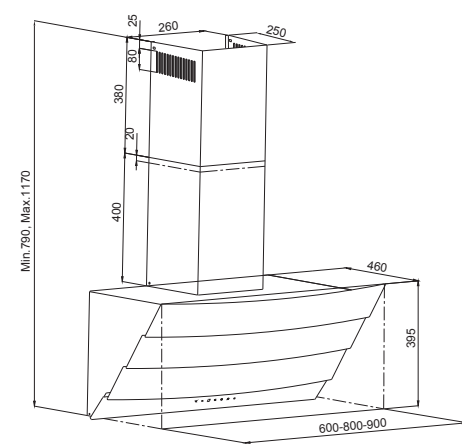
Technical Data

Category	Wall Type Hoods
Size	60 - 80 - 90cm
Duct Out Version	Intern (Duct Out / Recirculation)
Finish	Tempered Glass

Performance Data

Max Flow Rate:	772 m ³ /h
Max Noise Level:	62 dB(A)
Total Absorption:	282W
Filter	Aluminium Cassette Filter + Optional Carbon Filter
Control	3S+1B Touch Control
Lighting	4x1,1W Power LED
Duct Size	150mm

Color



3330

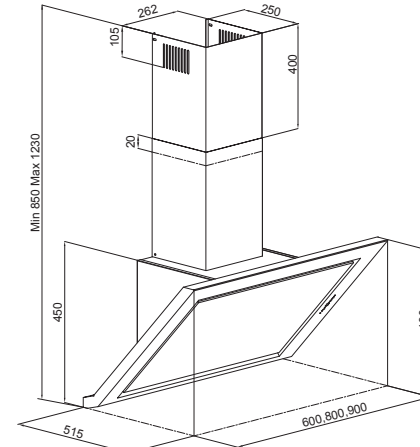
Technical Data

Category	Wall Type Hoods
Size	60 - 80 - 90cm
Duct Out Version	Intern (Duct Out / Recirculation)
Finish	Inox + Tempered Glass

Performance Data

Max Flow Rate:	800 m ³ /h
Max Noise Level:	65 dB(A)
Total Absorption:	282W
Filter	Aluminium Cassette Filter + Optional Carbon Filter
Control	3S+1B Soft Touch with Display
Lighting	4x1,1W Power LED
Duct Size	150mm

Color



3283

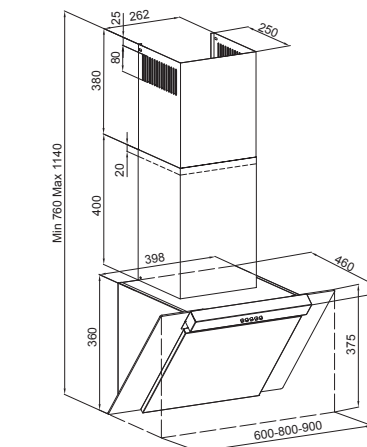
Technical Data

Category	Wall Type Hoods
Size	60 - 80 - 90cm
Duct Out Version	Intern (Duct Out / Recirculation)
Finish	Inox + Tempered Glass

Performance Data

Max Flow Rate:	649m ³ /h
Max Noise Level:	67 dB(A)
Total Absorption:	216W
Filter	Aluminium Cassette Filter + Optional Carbon Filter
Control	3S Mechanical Push Button
Lighting	2x3W LED
Duct Size	150mm

Color



3265

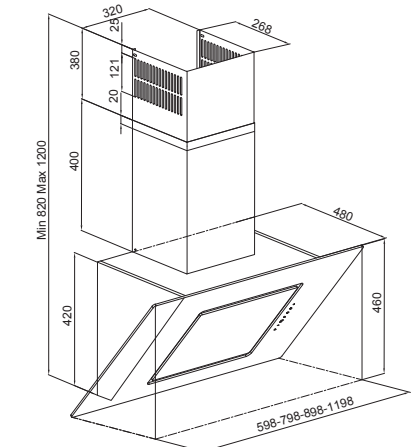
Technical Data

Category	Wall Type Hoods
Size	60 - 80 - 90 - 120cm
Duct Out Version	Intern (Duct Out / Recirculation)
Finish	Tempered Glass

Performance Data

Max Flow Rate:	840m ³ /h
Max Noise Level:	56 dB(A)
Total Absorption:	170W
Filter	Aluminium Cassette Filter + Optional Carbon Filter
Control	3S+1B Touch Control
Lighting	5x1,1W Power LED
Duct Size	150mm

Color



WALL-MOUNTED HOODS



A+

A

A

A+

A

A



3180

Technical Data

Category	Wall Type Hoods
Size	100cm
Duct Out Version	Intern (Duct Out / Recirculation)
Finish	Inox

Performance Data

Max Flow Rate:	783m ³ /h
Max Noise Level:	66 dB(A)
Total Absorption:	284W
Filter	Aluminium Cassette Filter + Optional Carbon Filter
Control	3S+1B Soft Touch with Display
Lighting	3x3W LED
Duct Size	150mm

Color



Inox

3155 LX

Technical Data

Category	Wall Type Hoods
Size	60 - 70 - 90cm
Duct Out Version	Intern (Duct Out / Recirculation)
Finish	Inox + Tempered Glass

Performance Data

Max Flow Rate:	621m ³ /h
Max Noise Level:	70 dB(A)
Total Absorption:	216W
Filter	Aluminium Cassette Filter + Optional Carbon Filter
Control	3S Touch Control
Lighting	2x3W LED
Duct Size	150mm

Color



Inox Black White

3122

Technical Data

Category	Wall Type Hoods
Size	60 - 80 - 90cm
Duct Out Version	Intern (Duct Out / Recirculation)
Finish	Inox + Tempered Glass

Performance Data

Max Flow Rate:	750m ³ /h
Max Noise Level:	65 dB(A)
Total Absorption:	281W
Filter	Aluminium Cassette Filter + Optional Carbon Filter
Control	3S+1B Soft Touch with Display
Lighting	2x1,5W G4 LED
Duct Size	150mm

Color



Inox Black White

3120

Technical Data

Category	Wall Type Hoods
Size	50 - 60 - 70 - 80 - 90cm
Duct Out Version	Intern (Duct Out / Recirculation)
Finish	Inox

Performance Data

Max Flow Rate:	760m ³ /h
Max Noise Level:	67 dB(A)
Total Absorption:	281W
Filter	Aluminium Cassette Filter + Optional Carbon Filter
Control	3S+1B Soft Touch with Display
Lighting	2x3W LED
Duct Size	150mm

Color



Inox Black White

3110

Technical Data

Category	Wall Type Hoods
Size	60 - 80 - 90cm
Duct Out Version	Intern (Duct Out / Recirculation)
Finish	Inox + Tempered Glass

Performance Data

Max Flow Rate:	637m ³ /h
Max Noise Level:	65 dB(A)
Total Absorption:	216W
Filter	Aluminium Cassette Filter + Optional Carbon Filter
Control	3S Soft Touch with Display
Lighting	2x3W LED
Duct Size	150mm

Color



Inox

2242

Technical Data

Category	Wall Type Hoods
Size	60 - 90 - 100cm
Duct Out Version	Intern (Duct Out / Recirculation)
Finish	Inox

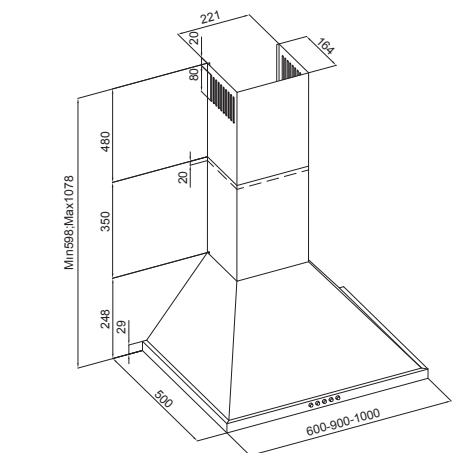
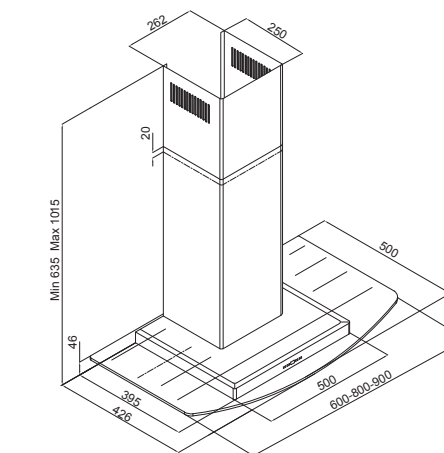
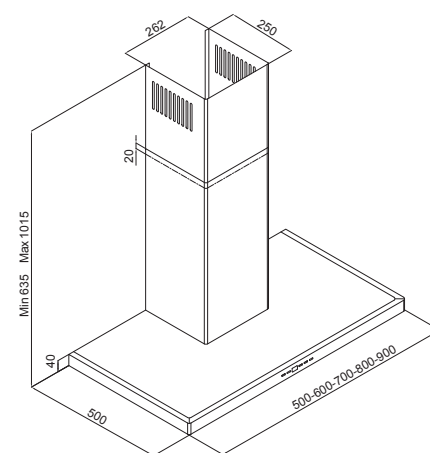
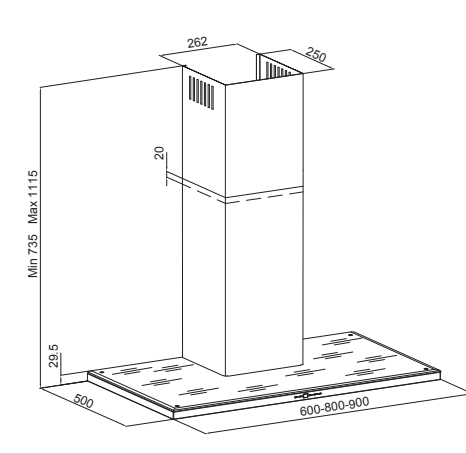
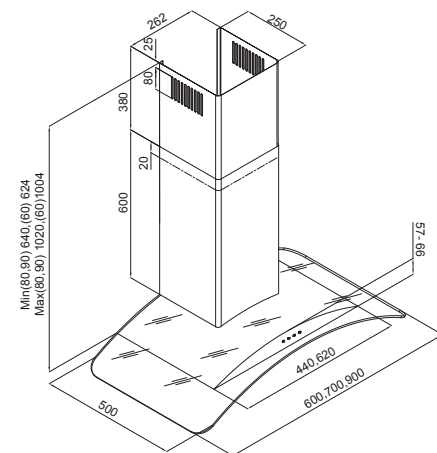
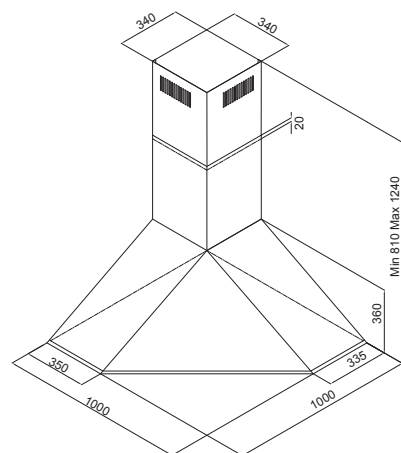
Performance Data

Max Flow Rate:	644m ³ /h
Max Noise Level:	67 dB(A)
Total Absorption:	216W
Filter	Aluminium Cassette Filter + Optional Carbon Filter
Control	3S Mechanical Push Button
Lighting	2x3W Bulb LED
Duct Size	150mm

Color



Inox Black White



WALL-MOUNTED HOODS



D



2240

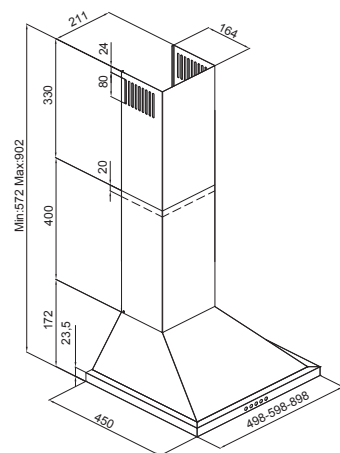
Technical Data

Category	Wall Type Hoods
Size	50 - 60 - 90cm
Duct Out Version	Intern (Duct Out / Recirculation)
Finish	Inox

Performance Data

Max Flow Rate:	320m ³ /h
Max Noise Level:	63 dB(A)
Total Absorption:	116W
Filter	Aluminium Cassette Filter + Optional Carbon Filter
Control	3S Mechanical Push Button
Lighting	2x3W Bulb LED
Duct Size	120mm

Color



A+



2180

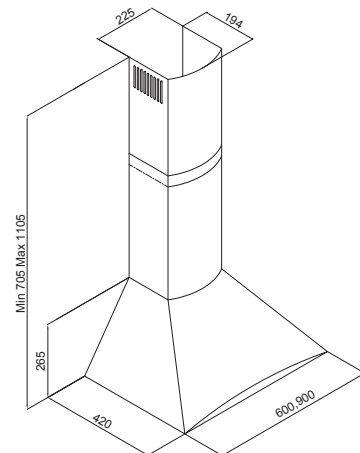
Technical Data

Category	Wall Type Hoods
Size	60 - 90cm
Duct Out Version	Intern (Duct Out / Recirculation)
Finish	Inox

Performance Data

Max Flow Rate:	636m ³ /h
Max Noise Level:	70 dB(A)
Total Absorption:	216W
Filter	Aluminium Cassette Filter + Optional Carbon Filter
Control	3S Soft Touch with Display
Lighting	2x3W LED
Duct Size	150mm

Color



D



2153

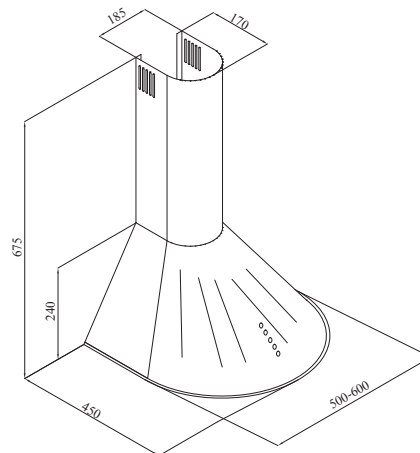
Technical Data

Category	Wall Type Hoods
Size	50 - 60cm
Duct Out Version	Intern (Duct Out / Recirculation)
Finish	Inox

Performance Data

Max Flow Rate:	253m ³ /h
Max Noise Level:	61 dB(A)
Total Absorption:	128W
Filter	Aluminium Cassette Filter + Optional Carbon Filter
Control	3S Mechanical Push Button
Lighting	1x3W Bulb LED
Duct Size	120mm

Color



WALL-MOUNTED HOODS



3173



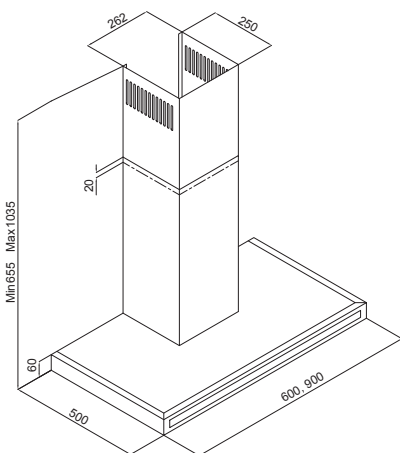
Technical Data

Category	Wall Type Hoods
Size	60 - 90cm
Duct Out Version	Intern (Duct Out / Recirculation)
Finish	Inox + Tempered Glass

Performance Data

Max Flow Rate:	710m³/h
Max Noise Level:	65 dB(A)
Total Absorption:	281W
Filter	Aluminium Cassette Filter + Optional Carbon Filter
Control	2S+1B Touch Control
Lighting	2x1,5W G4 LED
Duct Size	150mm

Color



3170



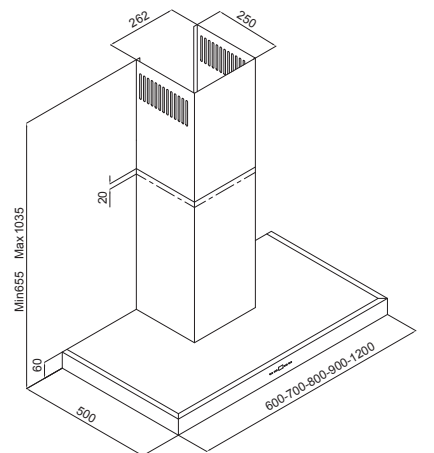
Technical Data

Category	Wall Type Hoods
Size	60 - 70 - 80 - 90 - 120cm
Duct Out Version	Intern (Duct Out / Recirculation)
Finish	Inox

Performance Data

Max Flow Rate:	647m³/h
Max Noise Level:	67 dB(A)
Total Absorption:	216W
Filter	Aluminium Cassette Filter + Optional Carbon Filter
Control	3S Soft Touch with Display / Mechanical Push Button
Lighting	2x3W LED
Duct Size	150mm

Color

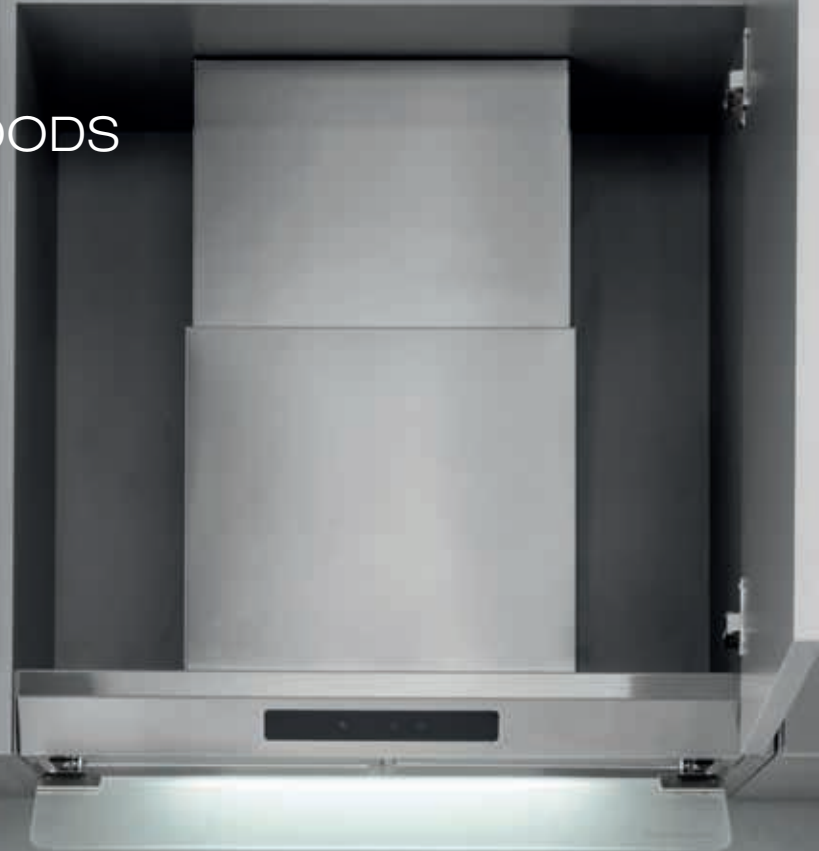


■ BUILT-IN HOODS

With a range of products for every kitchen type, Silverline can meet customer requirements with its cabinet solutions as well.



BUILT-IN HOODS



3129 INSIDE 2



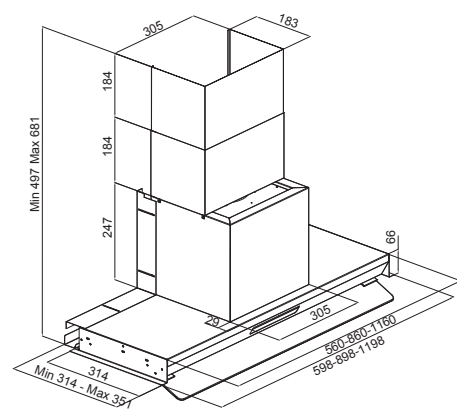
Technical Data

Category	Built-in Hoods
Size	60 - 90 - 120cm
Duct Out Version	Intern (Duct Out / Recirculation)
Finish	Inox + Tempered Glass

Performance Data

Max Flow Rate:	635 m ³ /h
Max Noise Level:	64 dB(A)
Total Absorption:	218W
Filter	Stainless Steel Cassette Filter + Optional Carbon Filter
Control	3S Touch Control
Lighting	1x8W LED Stripe
Duct Size	150mm

Color



1182 LIGHTFACE



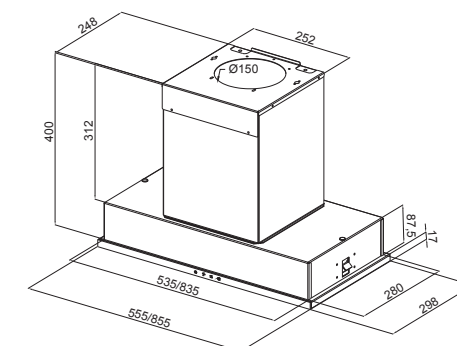
Technical Data

Category	Built-in Hoods
Size	60 - 90cm
Duct Out Version	Intern (Duct Out / Recirculation)
Finish	Inox + Tempered Glass

Performance Data

Max Flow Rate:	709 m ³ /h
Max Noise Level:	69 dB(A)
Total Absorption:	283W
Filter	Stainless Steel Cassette Filter + Optional Carbon Filter
Control	2S+1B Touch Control
Lighting	1x8W LED
Duct Size	150mm

Color



BUILT-IN HOODS



A⁺



1181 ULIGHT

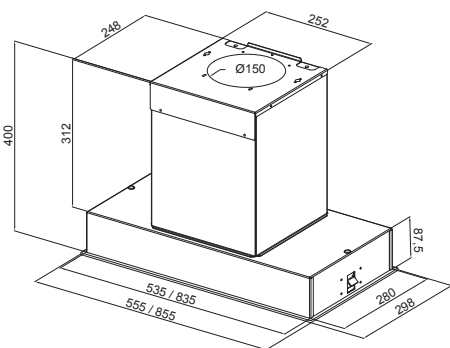
Technical Data

Category	Built-in Hoods
Size	60 - 90cm
Duct Out Version	Intern (Duct Out / Recirculation)
Finish	Inox + Tempered Glass

Performance Data

Max Flow Rate:	703 m ³ /h
Max Noise Level:	65 dB(A)
Total Absorption:	284W
Filter	Stainless Steel Cassette Filter + Optional Carbon Filter
Control	2S+1B Touch Control
Lighting	1x9W LED Stripe
Duct Size	150mm

Color



A



1180 HIDDEN

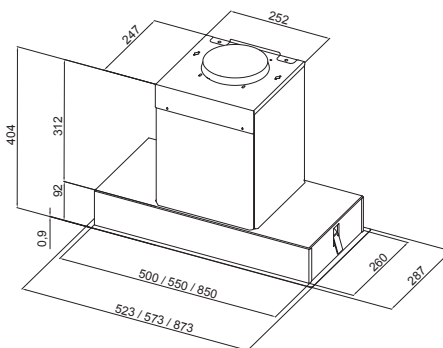
Technical Data

Category	Built-in Hoods
Size	50 - 60 - 90cm
Duct Out Version	Intern (Duct Out / Recirculation)
Finish	Inox + Tempered Glass

Performance Data

Max Flow Rate:	747 m ³ /h
Max Noise Level:	65 dB(A)
Total Absorption:	292W
Filter	Stainless Steel Cassette Filter + Optional Carbon Filter
Control	3S+1B Electrical Push Button
Lighting	1x17W LED Stripe
Duct Size	150mm

Color



A



1176

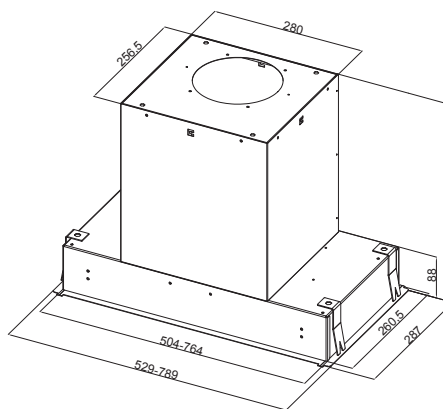
Technical Data

Category	Built-in Hoods
Size	60 - 90cm
Duct Out Version	Intern (Duct Out / Recirculation)
Finish	Tempered Glass

Performance Data

Max Flow Rate:	737 m ³ /h
Max Noise Level:	66 dB(A)
Total Absorption:	281W
Filter	Aluminium Cassette Filter + Optional Carbon Filter
Control	3S+1B Soft Touch with Display
Lighting	3x1,1W Power LED
Duct Size	150mm

Color



A



1175

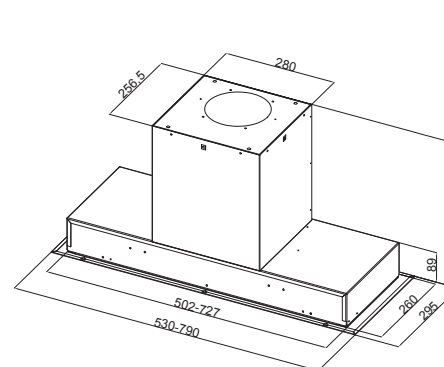
Technical Data

Category	Built-in Hoods
Size	60 - 90cm
Duct Out Version	Intern (Duct Out / Recirculation)
Finish	Inox + Tempered Glass

Performance Data

Max Flow Rate:	642 m ³ /h
Max Noise Level:	69 dB(A)
Total Absorption:	272W
Filter	Stainless Steel Cassette Filter + Optional Carbon Filter
Control	5S Soft Touch with Display
Lighting	4x1,1W Power LED
Duct Size	150mm

Color



C



1162

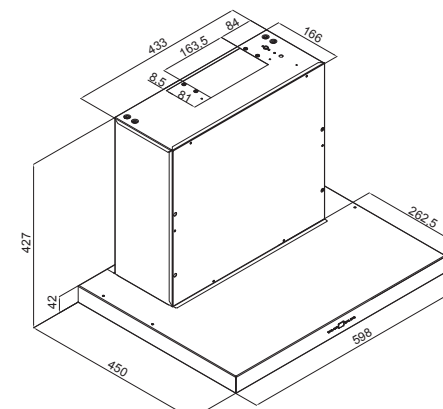
Technical Data

Category	Built-in Hoods
Size	60cm
Duct Out Version	Intern (Duct Out / Recirculation)
Finish	Inox + Tempered Glass

Performance Data

Max Flow Rate:	530 m ³ /h
Max Noise Level:	65 dB(A)
Total Absorption:	138W
Filter	Aluminium Cassette Filter + Optional Carbon Filter
Control	3S Touch Control
Lighting	2x1,5W G4 LED
Duct Size	150mm

Color



A



1144

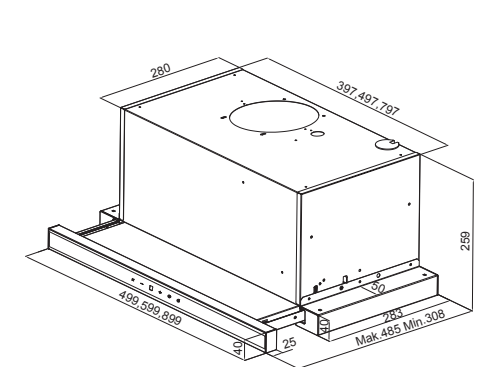
Technical Data

Category	Built-in Hoods
Size	50-60-90cm
Duct Out Version	Intern (Duct Out / Recirculation)
Finish	Inox + Tempered Glass

Performance Data

Max Flow Rate:	623 m ³ /h
Max Noise Level:	67 dB(A)
Total Absorption:	216W
Filter	Aluminium Cassette Filter + Charcoal Carbon Filter
Control	3S Touch Control
Lighting	2x3W LED
Duct Size	150mm

Color



BUILT-IN HOODS



D

A

D

D

D



1350

Technical Data

Category	Built-in Hoods
Size	60cm
Duct Out Version	Intern (Duct Out / Recirculation)
Finish	Inox + Tempered Glass

Performance Data

Max Flow Rate:	483 m ³ /h
Max Noise Level:	68 dB(A)
Total Absorption:	254W
Filter	Aluminium Casette Filter + Charcoal Carbon Filter
Control	3S Touch Control / Rocker
Lighting	2x2W Bulb LED
Duct Size	120mm

Color



1190

Technical Data

Category	Built-in Hoods
Size	40 - 50 - 60 - 90cm
Duct Out Version	Intern (Duct Out / Recirculation)
Finish	Inox

Performance Data

Max Flow Rate:	410 m ³ /h
Max Noise Level:	69 dB(A)
Total Absorption:	126W
Filter	Aluminium Casette Filter + Charcoal Carbon Filter
Control	3S Rocker
Lighting	2x3W LED
Duct Size	120mm

Color



1151

Technical Data

Category	Built-in Hoods
Size	60 - 70 - 90cm
Duct Out Version	Intern (Duct Out / Recirculation)
Finish	Inox

Performance Data

Max Flow Rate:	483 m ³ /h
Max Noise Level:	68 dB(A)
Total Absorption:	256W
Filter	Aluminium Casette Filter + Charcoal Carbon Filter
Control	3S Touch Control / Rocker
Lighting	2x3W LED
Duct Size	120mm

Color



1201

Technical Data

Category	Built-in Hoods
Size	60 - 90cm
Duct Out Version	Intern (Duct Out / Recirculation)
Finish	Inox

Performance Data

Max Flow Rate:	483 m ³ /h
Max Noise Level:	68 dB(A)
Total Absorption:	254W
Filter	Aluminium Casette Filter + Optional Carbon Filter
Control	3S Mechanical Push Button
Lighting	2x2W Bulb LED
Duct Size	120mm

Color



1200

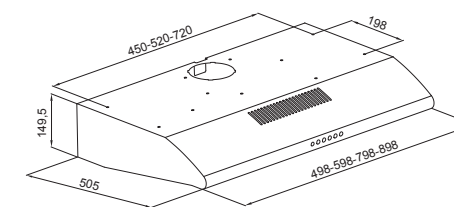
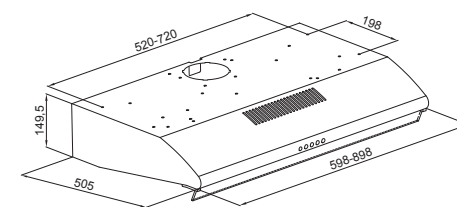
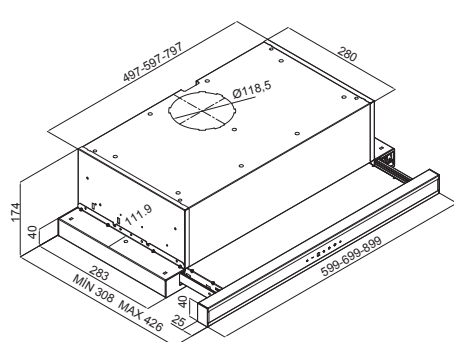
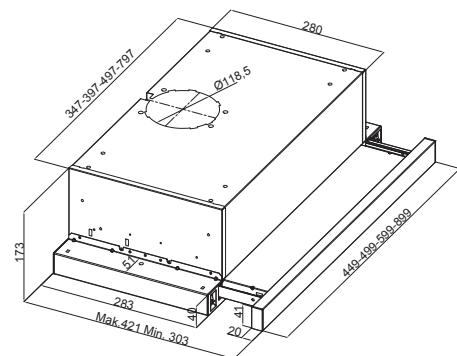
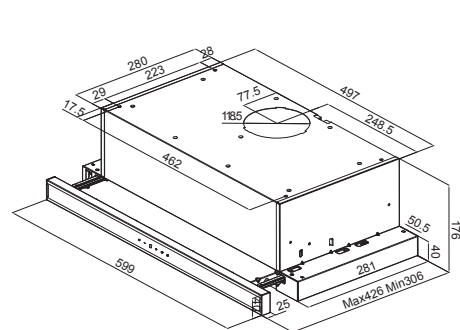
Technical Data

Category	Built-in Hoods
Size	50 - 60 - 80 - 90cm
Duct Out Version	Intern (Duct Out / Recirculation)
Finish	Inox

Performance Data

Max Flow Rate:	215 m ³ /h
Max Noise Level:	67 dB(A)
Total Absorption:	131W
Filter	Aluminium Casette Filter + Optional Carbon Filter
Control	3S Mechanical Push Button
Lighting	2x3W Bulb LED
Duct Size	120mm

Color



ACCESSORIES

EXTERNAL MOTORS



1240

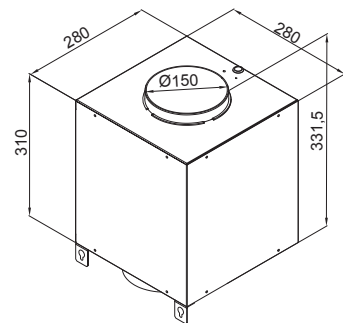
Technical Data

Category	Extern Motor
Finish	Inox

Performance Data

Max Flow Rate:	800 m ³ /h
Total Absorption:	275W
Duct Size	150mm

Color



1250

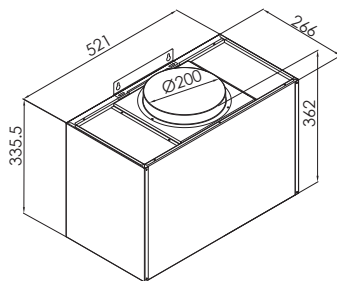
Technical Data

Category	Extern Motor
Finish	Inox

Performance Data

Max Flow Rate:	1400 m ³ /h
Total Absorption:	550W
Duct Size	200mm

Color



1260

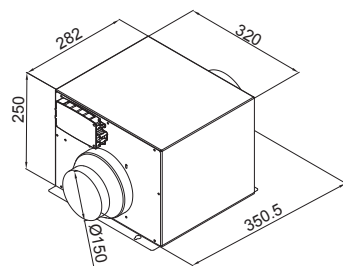
Technical Data

Category	Extern Motor
Finish	Inox

Performance Data

Max Flow Rate:	1000 m ³ /h
Total Absorption:	280W
Duct Size	150mm

Color



1270

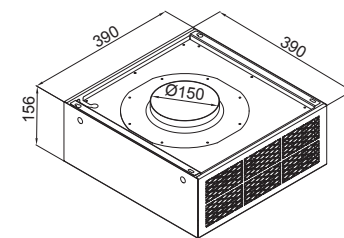
Technical Data

Category	Extern Motor
Finish	Inox

Performance Data

Max Flow Rate:	950 m ³ /h
Total Absorption:	200W
Duct Size	150mm

Color



1280

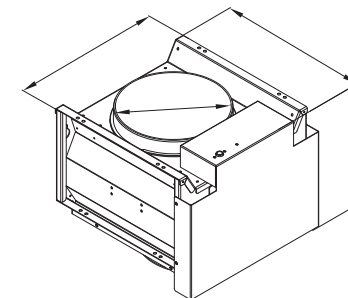
Technical Data

Category	Extern Motor
Finish	Inox

Performance Data

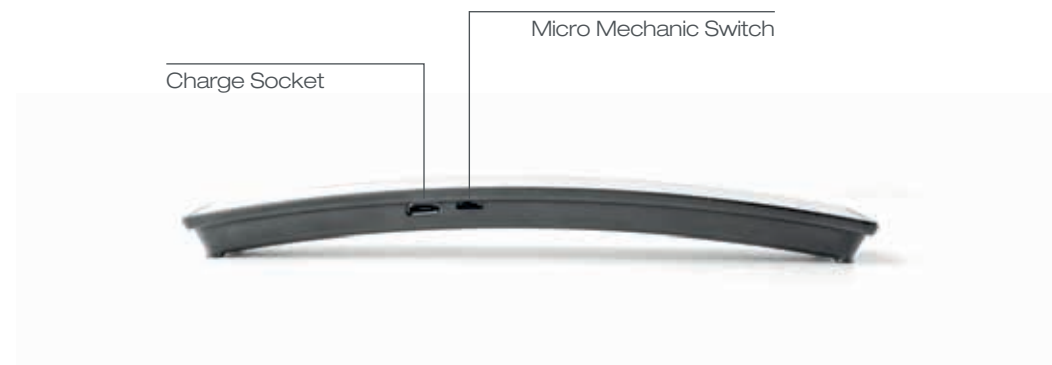
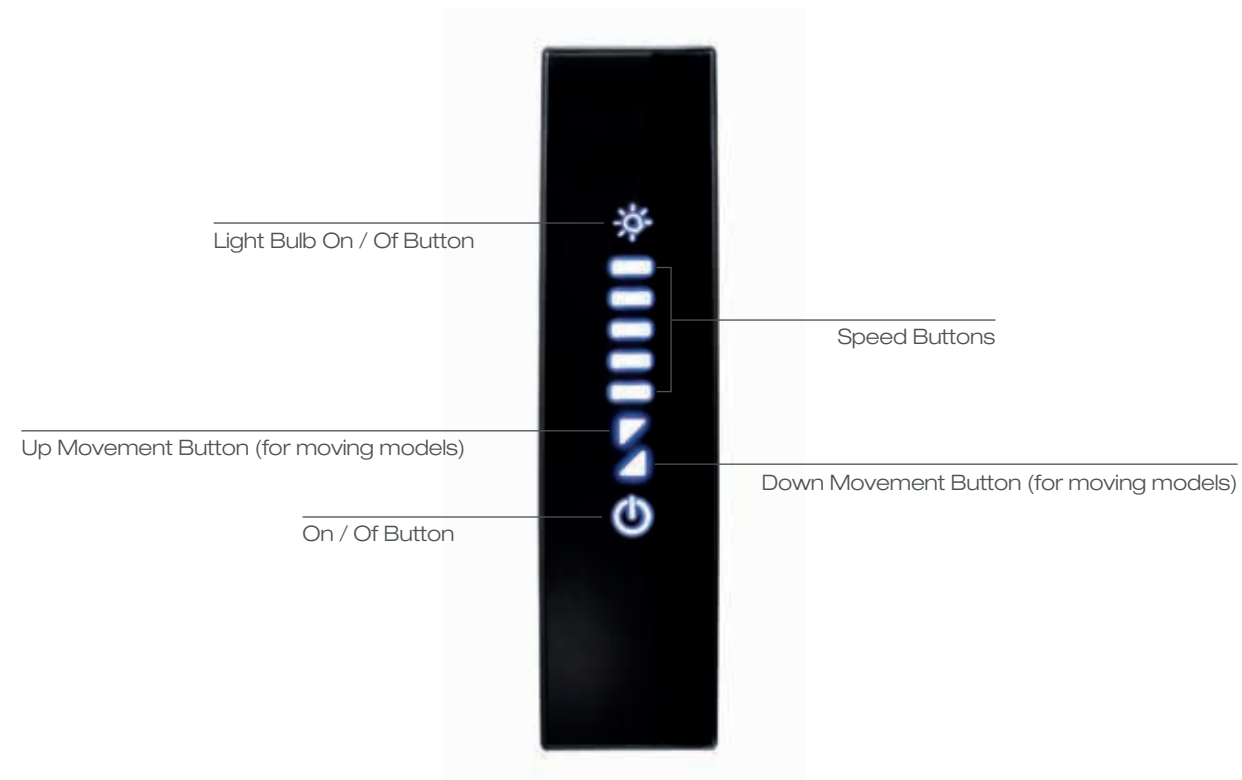
Duct Size	150mm
-----------	-------

Color



REMOTE CONTROL

CURVED REMOTE CONTROL



ERGONOMICS

Curved design which fits ergonomics of hand perfectly.

USER-FRIENDLY

Control all of the hood features at a touch.

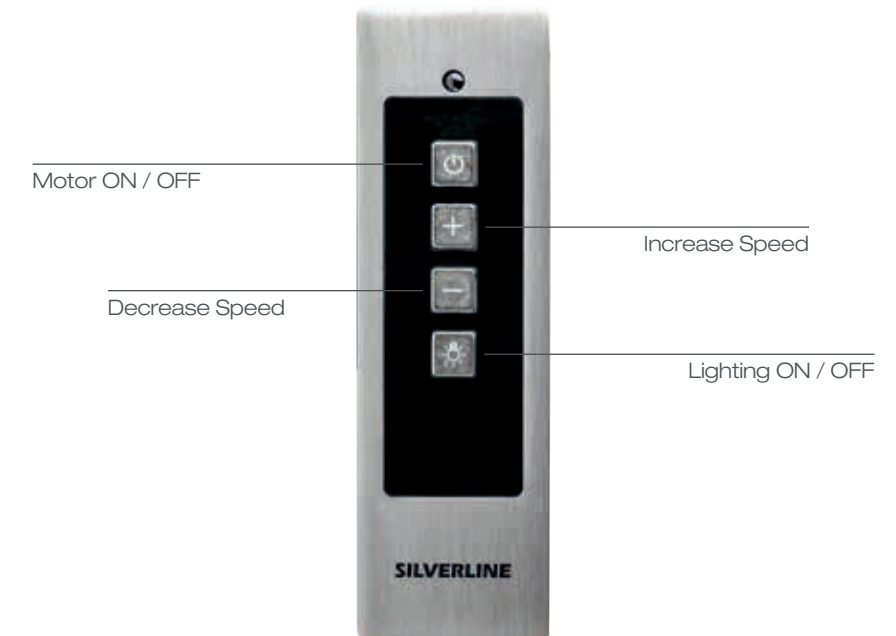
RECHARGEABLE

Lithium battery, rechargeable by the included micro USB cord.

MAGNETIC

Magnets placed inside the body allow it to be securely placed on any metal surface.

STANDARD REMOTE CONTROL





retroline

indispensable designs that
combine classic values
and high technology

RETRO SERIES



A+



2238

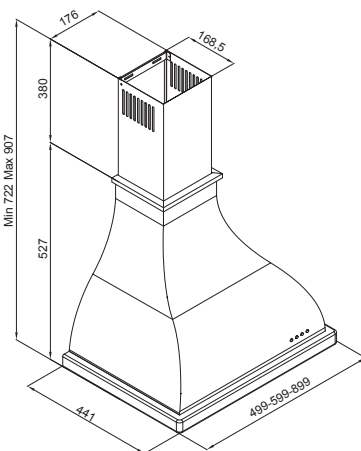
Technical Data

Category	Retro Hoods
Size	50 - 60 - 90cm
Duct Out Version	Intern (Duct Out / Recirculation)
Finish	Inox

Performance Data

Max Flow Rate:	636 m ³ /h
Max Noise Level:	67 dB(A)
Total Absorption:	216W
Filter	Aluminium Cassette Filter + Optional Carbon Filter
Control	3S Mechanical Push Button
Lighting	2x3W LED
Duct Size	150mm

Color



C



2234

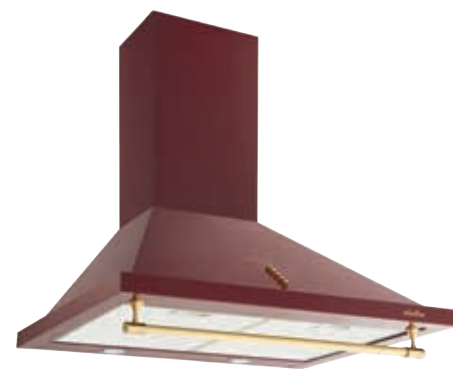
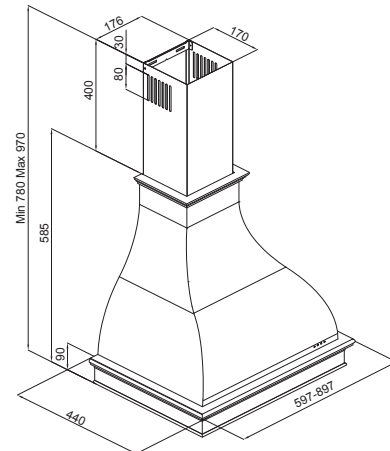
Technical Data

Category	Retro Hoods
Size	60 - 90cm
Duct Out Version	Intern (Duct Out / Recirculation)
Finish	Inox

Performance Data

Max Flow Rate:	606 m ³ /h
Max Noise Level:	68 dB(A)
Total Absorption:	310W
Filter	Aluminium Cassette Filter + Optional Carbon Filter
Control	3S Soft Touch with Display
Lighting	2x3W LED
Duct Size	150mm

Color



A



2120

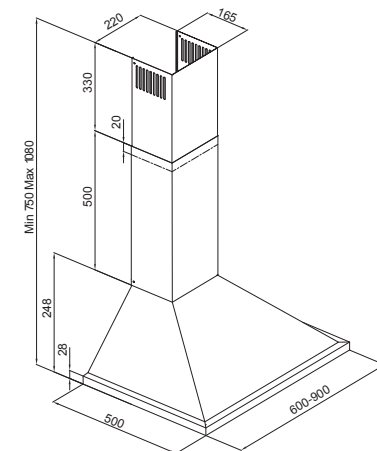
Technical Data

Category	Retro Hoods
Size	60 - 90cm
Duct Out Version	Intern (Duct Out / Recirculation)
Finish	Inox

Performance Data

Max Flow Rate:	648 m ³ /h
Max Noise Level:	68 dB(A)
Total Absorption:	216W
Filter	Aluminium Cassette Filter + Optional Carbon Filter
Control	3S Mechanical Push Button
Lighting	2x3W LED
Duct Size	150mm

Color



RETRO SERIES



RS6235R02



RS6235C02



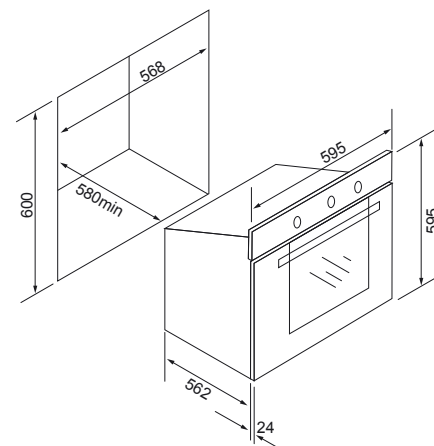
RS6235B02

A

- 60 cm
- Control panel: Retro Black, Beige, Claret Red Enamelled
- Door panel: Retro Black, Beige, Claret Red Enamelled
- 6 cooking functions
- 2 retro knobs
- Analogue timer with start and stop programmer
- Removable side racks
- Grill, thermostat, turbo fan
- Cooling fan
- Oven light
- 1 chrome grid, 2 deep trays
- 57 l net volume
- A energy class
- Double glass door



57l

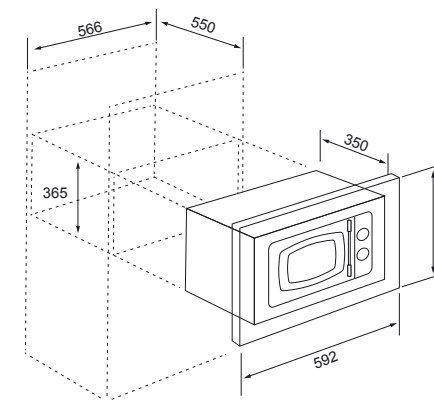


9 Program | 23 Liter | 5 Level

MW9033C01

Retro Beige
Built-In Microwave

- Power output 800w
- Grill cooking
- 1100W grill
- 1 Grill
- 3 Combination power settings
- 30 minutes mechanic timer
- Pull handle door, defrost setting
- Cooking end signal
- Stainless cavity and silver housing
- Metal rack
- Glass turntable

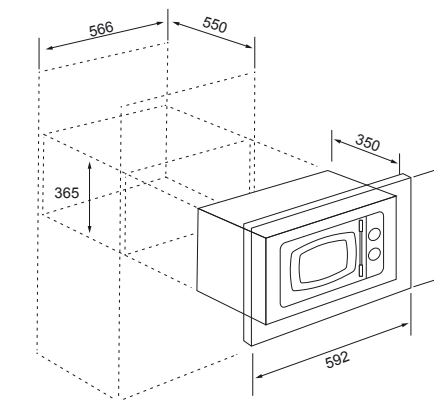


9 Program | 23 Liter | 5 Level

MW9033R01

Retro Claret Red
Built-In Microwave

- Power output 800w
- Grill cooking
- 1100W grill
- 1 Grill
- 3 Combination power settings
- 30 minutes mechanic timer
- Pull handle door, defrost setting
- Cooking end signal
- Stainless cavity and silver housing
- Metal rack
- Glass turntable

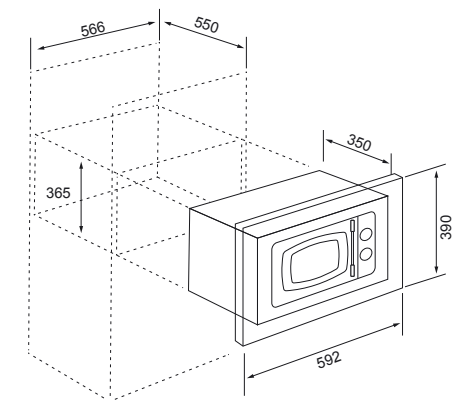


9 Program | 23 Liter | 5 Level

MW9033B01

Retro Black
Built-In Microwave

- Power output 800w
- Grill cooking
- 1100W grill
- 1 Grill
- 3 Combination power settings
- 30 minutes mechanic timer
- Pull handle door, defrost setting
- Cooking end signal
- Stainless cavity and silver housing
- Metal rack
- Glass turntable



RETRO SERIES



RS5322C01

Retro Beige Enamelled

- 4 gas burner
- Cast iron pan supports and burner caps
- Front control
- Auto-ignition integrated in the burner operated by each knob.
- Auto-lock safety device integrated in each burner
- Italian Burner
- 1x Triple ring burner: 3500 W
- 1x Rapid burner: 3000 W
- 1x Semi-rapid burner: 1750 W
- 1x Auxiliary burner: 1000 W

RS5336C01

Retro Beige Enamelled

- 5 gas burner (1 Wok burner)
- Cast iron pan supports and burner caps
- Front control
- Auto-ignition integrated in the burner operated by each knob.
- Auto-lock safety device integrated in each burner
- Italian Burner
- 1x Triple ring burner: 3500 W
- 1x Rapid burner: 3000 W
- 2x Semi-rapid burner: 1750 W
- 1x Auxiliary burner: 1000 W

RS5322B01

Rustic Anthracite Enamelled

- 4 gas burner
- Cast iron pan supports and burner caps
- Front control
- Auto-ignition integrated in the burner operated by each knob.
- Auto-lock safety device integrated in each burner
- Italian Burner
- 1x Triple ring burner: 3500 W
- 1x Rapid burner: 3000 W
- 1x Semi-rapid burner: 1750 W
- 1x Auxiliary burner: 1000 W

RS5336B01

Rustic Anthracite Enamelled

- 5 gas burner (1 Wok burner)
- Cast iron pan supports and burner caps
- Front control
- Auto-ignition integrated in the burner operated by each knob.
- Auto-lock safety device integrated in each burner
- Italian Burner
- 1x Triple ring burner: 3500 W
- 1x Rapid burner: 3000 W
- 2x Semi-rapid burner: 1750 W
- 1x Auxiliary burner: 1000 W

RS5322R01

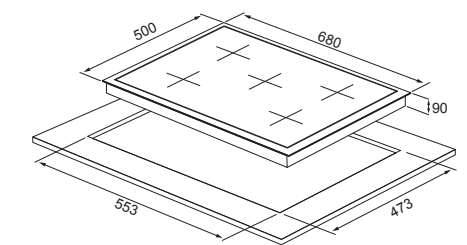
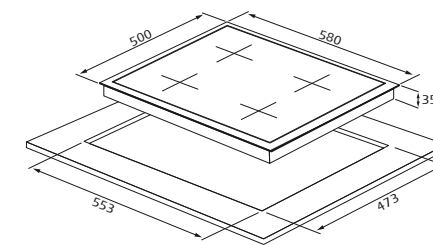
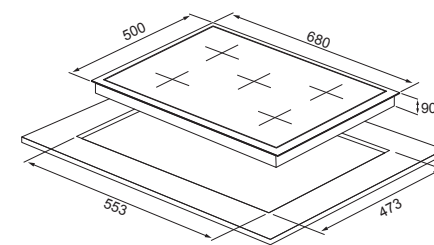
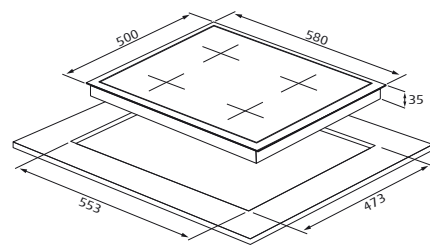
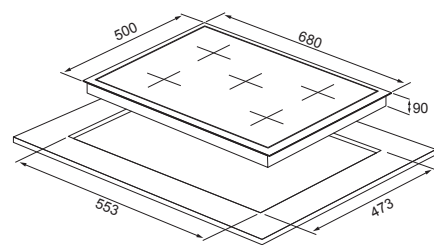
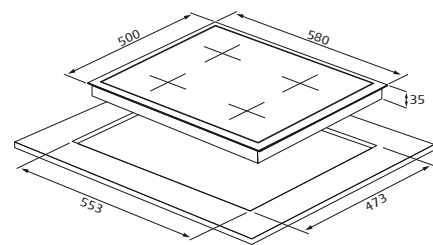
Retro Claret Red Enamelled

- 4 gas burner
- Cast iron pan supports and burner caps
- Front control
- Auto-ignition integrated in the burner operated by each knob.
- Auto-lock safety device integrated in each burner
- Italian Burner
- 1x Triple ring burner: 3500 W
- 1x Rapid burner: 3000 W
- 1x Semi-rapid burner: 1750 W
- 1x Auxiliary burner: 1000 W

RS5336R01

Retro Claret Red Enamelled

- 5 gas burner (1 Wok burner)
- Cast iron pan supports and burner caps
- Front control
- Auto-ignition integrated in the burner operated by each knob.
- Auto-lock safety device integrated in each burner
- Italian Burner
- 1x Triple ring burner: 3500 W
- 1x Rapid burner: 3000 W
- 2x Semi-rapid burner: 1750 W
- 1x Auxiliary burner: 1000 W



REFRIGERATORS

With their advanced functions, Silverline refrigerators keep your food as fresh as the day they were stored.



LARGE CAPACITY
Provides spacious storage area thanks to large inner volume.



NO FROST
The no-frost system isolates the freezer from humidity, ensuring that the air inside the fridge remains dry. Thus it prevents humidity and frosting on the inner walls of the product to ensure that food does not freeze. Thanks to this system, food items are frozen more quickly, more evenly and balanced matter, remaining as fresh as the first day.



EXTRA COLD SECTION
Designed specifically for dairy/breakfast items, the "Chiller Compartment" keeps food between -2°C and +3°C. This compartment is ideal for storing breakfast items and etc..



ELECTRONIC CONTROL
The "Electronic Control" panel allows the user to set separate temperatures for the fridge and the freezer.



VACATION MODE
This function allows you to operate your refrigerator at low power when you are going to be away from home for a long time. When this function is selected, food in the freezer is kept as they are. To prevent bad odours in the freezer, the temperature is kept at around 12 degrees all the time. Moreover, you also save energy since the compressor does not run continuously in this mode.



ARTIFICIAL INTELLIGENCE
Thanks to the "Artificial Intelligence" function, the refrigerator detects the environmental temperature to set its own refrigerator, saving you the trouble of manual setting.



TOUCH CONTROL
Along with a modern appearance, the "Touch Control" offers ease of use in terms of technologic aspects to allow the user to set separate temperatures for each compartment.



MOISTURE CONTROL (VEGETABLE)
Without the humidity control function, the air inside the crisper evaporates, reaching the food and shortening its life. Thanks to the adjustable "Humidity-Controlled Crisper" function in your refrigerator, the air inside the crisper condenses to allow you to keep humidity ratios of the food under control. This way, food items are kept fresh for a longer time.



BLUE LIGHT
Equipped with sterilisation function, the "Blue Light" lighting function illuminates fruits and vegetables with a light that has the ideal wavelength, ensuring that they photosynthesise as they do in the nature. Food whose tastes and aromas are preserved remain fresh for a longer time and preserve the vitamin C they contain.



ICE MAKER
"Rotary Ice Maker" makes ice in about 2-3 hours. Ice pieces in the container fall into the ice storage container below once the knob on it is turned. The ice storage container is only intended to store ice.



LED LIGHTING
It provides a more powerful white light for the interior of the refrigerator.



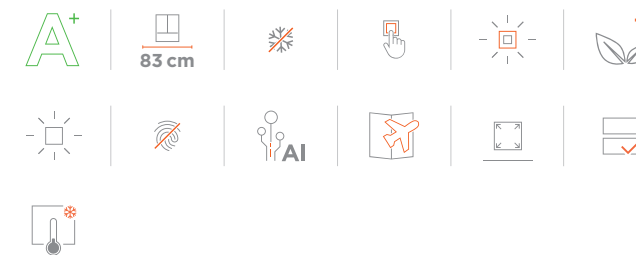
ANTI-FINGER PRINT
This feature ensures that the outer surface of the refrigerator looks clean at all times.



HIGH PERFORMANCE REFRIGERATION TECHNOLOGIES

An indispensable element of any kitchen with a unique design and essential functionality. SILVERLINE Refrigerators are equipped with significant technical features such as the Anti-Odor and Air Cleaning System with UV, LED and Platinum Rays, the Anti-bacterial System preventing bacterial growth and propagation, the Vitamin-C Fresh System ensuring moisture control that will allow fruit and vegetables to maintain their nutritional value for longer, and the Multiple Air Flow System that increases the efficiency of your refrigerator. The energy class refrigeration technology offers high performance with minimal operating noise. In addition to providing your kitchen with a contemporary look thanks to their elegant aesthetic and inox steel finish, they also maintain a clean appearance cleanliness thanks to their fingerprint-resistant surface. The changeable opening direction of the doors provides for flexible installation that can be adapted kitchens of all styles.

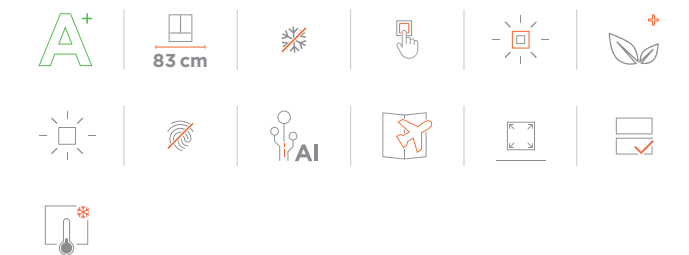
REFRIGERATORS



R12051B01

Cross Door Refrigerator

- A+ Energy Level
- T Climate Type
- 492lt Total Gross Volume
- 482lt Total Net Volume
- Touch Control Panel
- Total No Frost
- Multi Air Flow
- 4 Stars Freezer
- Black Colour Glass Door
- Blue LED Light Sterilization Function
- Artificial Intelligence Function
- 6 Drawers Freezer
- 3 glass shelves on fridge part
- 6 shelves on fridge door balcony
- 2 crisper drawers
- Loading Quantity 40'HQ: 52 pcs
- Product Dimension (WDH): 833x654x1820mm
- Packing Dimension (WDH): 908x712x1925mm

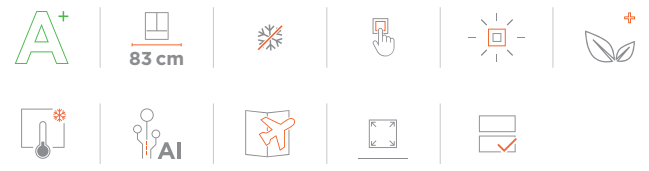


R12051W01

Cross Door Refrigerator

- A+ Energy Level
- T Climate Type
- 492lt Total Gross Volume
- 482lt Total Net Volume
- Touch Control Panel
- Total No Frost
- Multi Air Flow
- 4 Stars Freezer
- White Colour Glass Door
- Blue LED Light Sterilization Function
- Artificial Intelligence Function
- 6 Drawers Freezer
- 3 glass shelves on fridge part
- 6 shelves on fridge door balcony
- 2 crisper drawers
- Loading Quantity 40'HQ: 52 pcs
- Product Dimension (WDH): 833x654x1820mm
- Packing Dimension (WDH): 908x712x1925mm

REFRIGERATORS



R12051F01

Cross Door Refrigerator

- A+ Energy Level
- T Climate Type
- 492lt Total Gross Volume
- 482lt Total Net Volume
- Touch Control Panel
- Total No Frost
- Multi Air Flow
- 4 Stars Freezer
- Mirror Glass Door
- Blue LED Light Sterilization Function
- Artificial Intelligence Function
- 6 Drawers Freezer
- 3 glass shelves on fridge part
- 6 shelves on fridge door balcony
- 2 crisper drawers
- Loading Quantity 40'HQ: 52 pcs
- Product Dimension (WDH): 833x654x1820mm
- Packing Dimension (WDH): 908x712x1925mm

R12051X01

Cross Door Refrigerator

- A+ Energy Level
- T Climate Type
- 492lt Total Gross Volume
- 482lt Total Net Volume
- Touch Control Panel
- Total No Frost
- Multi Air Flow
- 4 Stars Freezer
- Inox Door
- Blue LED Light Sterilization Function
- Artificial Intelligence Function
- 6 Drawers Freezer
- 3 glass shelves on fridge part
- 6 shelves on fridge door balcony
- 2 crisper drawers
- Loading Quantity 40'HQ: 52 pcs
- Product Dimension (WDH): 833x654x1820mm
- Packing Dimension (WDH): 908x712x1925mm

R12046B01

Side By Side Refrigerator

- A+ Energy Class
- Door Opened Over Alarm
- 562lt Total Gross Volume
- 514 Lt Net Capacity
- Quick Freezing Function
- Electronic control
- Total No Frost
- Black Glass
- 40 HQ: 48 pcs
- ST Climate
- R600a
- Led Touch Screen
- 120 Watt
- Quick Cooling Function
- Holiday Function
- Fridge Closed Function
- Child Lock
- 90 cm Width
- Product Dimension: W910 x D650(+Handle 700) x H1770

R12066X01

Side By Side Refrigerator

- A+ energy level
- Inox Door
- 520lt Total Gross Volume
- 474L Net Total Volume
- 322L Fridge Volume
- 127L Freezer Volume
- 25L variable compartment volume
- Inside condenser
- 12kg freezer capacity
- 84kg/92kg net/gross weight
- 38dB noise
- Total No Frost
- 4stars freezer
- Loading Capaty 40'HQ: 52pcs
- T climate type
- Electronic LED Display Control
- 220240V/50Hz
- Unit Dimension: 920*630*1765mm
- Package Dimension: 977*677*1855mm

REFRIGERATORS



R12073X01

Combi Type Refrigerator

- Combi Double Door Refrigerator
- Inox Door
- Electronic Touch Control Panel
- Total No Frost
- Multi Air Flow
- Reversible Door
- Recessed Handle
- 41dB Noise Level
- T Climate Type
- 416l Total Net Volume
- 468l Total Gross Volume
- Unit Dimension (WDH): 700x666x1880
- Packing Dimension (WDH): 760x720x1930

R12057X01

Combi Type Refrigerator

- A+ Energy Level
- Inox
- Net Volume Total (l)317
- Gross Volume Total (l)360
- Gross Volume Freezer (l)129
- Net Volume Fridge (l)222
- Net Volume Freezer (l)95
- Condensor TypeSkin condensor
- Freezing Capacity15.0 kg/24h
- Weight (kg) Net / Gross70/76
- Noise Level dB(A)43
- DefrostNoFrost
- Freezer Rating4 Star: 18°C
- Refrigerant (R600a/R134a)R600a/50g
- Reversible DoorYes
- Door Panel Material & ColorInox
- Evaporator TypeNo
- Interior LampYes/ 1W
- Beverage bottle bin2.0L
- Temperature ControlElectronic
- Climate ClassT
- Power Input (watt)140+160
- Power Voltage220240v/50Hz
- Dimension Product (mm)W600 x D685 x H1850
- Dimension Package (mm)W643 x D720 x H1928
- 40° / 40HC Quantity (piece)54/72

R12057B01

Combi Type Refrigerator

- Energy Class A+
- Net Volume Total (l)317
- Net Volume Fridge (l)222
- Net Volume Freezer (l)95
- Gross Volume Total (l)360
- Gross Volume Freezer (l)129
- Condensor TypeSkin condensor
- Refrigerant (R600a/R134a)R600a/50g
- Freezer Rating4 Star: 18°C
- Freezing Capacity15.0 kg/24h
- Weight (kg) Net / Gross70/76
- Power Voltage220240v/50Hz
- Power Input (watt)140+160
- Temperature ControlElectronic
- Noise Level dB(A)43
- DefrostNoFrost
- Black Glass
- Reversible DoorYes
- Door Panel Material & ColorInox
- Evaporator TypeNo
- Interior LampYes/ 1W
- 40HC Quantity (piece)66
- Beverage bottle bin2.0L
- Climate ClassT
- Dimension Product (mm)W600 x D685 x H1850
- Dimension Package (mm)W643 x D720 x H1928

R12057W01

Combi Type Refrigerator

- Energy Class A+
- Net Volume Total (l)317
- Net Volume Fridge (l)222
- Net Volume Freezer (l)95
- Gross Volume Total (l)360
- Gross Volume Freezer (l)129
- Condensor TypeSkin condensor
- Refrigerant (R600a/R134a)R600a/50g
- Freezer Rating4 Star: 18°C
- Freezing Capacity15.0 kg/24h
- Weight (kg) Net / Gross70/76
- Power Voltage220240v/50Hz
- Power Input (watt)140+160
- Temperature ControlElectronic
- Noise Level dB(A)43
- DefrostNoFrost
- White Glass
- Reversible DoorYes
- Door Panel Material & ColorInox
- Evaporator TypeNo
- Interior LampYes/ 1W
- 40HC Quantity (piece)66
- Beverage bottle bin2.0L
- Climate ClassT
- Dimension Product (mm)W600 x D685 x H1850
- Dimension Package (mm)W643 x D720 x H1928

REFRIGERATORS



R12060W01

Combi Static Refrigerator

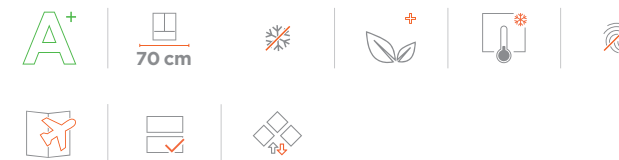
- Energy Efficiency Class A+
- Gross Volume 260l
- Net Volume: 260L(R:189, F:71)
- Net Kg: 58kg
- Gross Kg: 64kg
- Load Capacity(20FT/40FT/40HQ): 37/76/100
- Safety glass
- Static
- ECO LED light
- Fruit and vegetable crisper
- 2L bottle rack
- Reversible door
- Grip handle optional
- Water dispenser optional
- Brand new industry design, stylish as popularity.
- Colour: WHITE
- Climate: ST
- Dimension(WxDxH)(mm): 545x585x1800(without handle)



R12064X01

Double Door TMF Refrigerator

- A+ Energy Class
- 425 net l
- 459 gross l
- 330L fridge capacity 95L freezer capacity
- 4 star rating freezer, door panel inox
- 43 dB noise level
- R600a gas
- Electronic control
- Full no frost
- Led Light
- T Climate
- Recessed handle
- Loading Quantities (20ft/40ft/40HC): 66
- Product Size (WxDxH): 700x670x1770 mm
- Packing Size (WxDxH): 741x715x1860 mm



R12013X02

Double Door TMF Refrigerator

- A+ Energy Efficiency Class
- Total gross volume: 400 tl
- Total Net Capacity: 364 Lt
- Net Refrigerator Capacity: 273 Lt
- Net Freezer Capacity: 91 Lt
- 1 Glass Shelf and 2 Door Balconies in Freezer
- Compartment
- 4 Star Freezer
- Outside Condenser
- New 430 stainless steel panel
- Stainless steel handle
- Crisper, 2 Glass Shelves and 3 Door Balconies in Refrigerator Compartment
- Loading Quantity (20/40/40H): 21/48/67
- T Climate Type
- R600a Refrigerant
- 44 dB Noise Level
- Automatic Defrosting Type
- Adjustable Front Feet
- NoFrost
- Mechanical Control
- Multi Airflow Control
- Interior Light
- Reversible Door
- Net Weight: 75 Kg
- Product Dimensions WxDxH (mm): 696 x 722 x 1712



R12044X01

Double Door TMF Refrigerator

- A+ Energy
- Inox
- 340lt net volume
- 373lt gross volume
- 294 LT Net Capacity
- T Climate
- Total No Frost
- 40 HQ: 72 pcs
- 43dB Noise Level
- R600a Refrigerant
- 220-240V/50Hz
- Product Size (WxDxH): 595*695*1724 mm
- Packing Size (WxDxH): 655*735*1770 mm

REFRIGERATORS



R12047S01

Double Door TMF Refrigerator

- A Energy Class
- 319 L Gross / 311 L Net Capacity
- 57 kg Gross/ 51 kg Net
- Mechanical Temperature Control
- Defrost
- Silver
- 60 cm Width
- 40 HQ: 73 pcs
- ST Climate
- Dimension Product (WxDxH) : 60x60x170 cm



R12056W01

Double Door TMF Refrigerator

- A+ Energy Class
- 42/47kg
- Net Volume: 238L(R:197, F:41)
- Mechanical control
- Manual Defrost
- Climate: ST/N
- Transparent drawers
- Interior light
- Fruit and vegetable crisper
- Tempered glass shelf
- 2L bottle rack
- Reversible door
- Load Capacity (40HQ) : 108
- WHITE
- Dimension(WxDxH)(mm): 550x550x 1590



R12055W01

Double Door TMF Refrigerator

- A++ Energy Class
- Gross Volume 210l
- Net Volume: 207L(R:R:166,F:41)
- 40/45 kg
- Manual Defrost
- Mechanical control
- Climate: ST
- Transparent drawers
- Interior light
- Reversible door
- Lock optional
- White
- Product Size (WxDxH): 550x550x1430 mm
- Packing Size (WxDxH): 585x585x1462 mm



R12058W02

Built-In Combi

- Energy Class A+
- Gross Volume Total 259lt
- Net Volume Total (l)250
- Net Volume Fridge (l)185
- Net volume freezer (l)65
- Gross Volume Total (l)259
- Gross Volume Freezer (l)72
- Defrost Automatic
- Temperature Control Electronic
- Climate Class T
- Noise Level dB(A)42
- Cabinet Color White
- Interior Lamp (LED) Yes/ 2W
- Refrigerant (R600a/R134a)R600a/62g
- Power Voltage 220-240v/50-Hz
- 20' / 40' / 40'HC Quantity (piece)40/80/109
- Product Size (WxDxH): 540x540x1785 mm
- Packing Size (WxDxH): 560x550x1790 mm

REFRIGERATORS



R12069W01

Combi No Frost Built-in Refrigerator

- A+ Energy Level
- Net Volume: 241L (R:189, F:71)
- Gross Volume: 250L
- Easy Touch Control Panel
- Total No Frost
- Climate Type: T
- Child Lock
- Recessed Space for Beverage
- Sliding Box for Pizza
- Safe Box for individual
- Air Flow for Fridge
- Loading 40°C Quantity: 105pcs
- Dimension Product (mm) W540 x D545 x H1772



R12041W01

Mini Fridge

- Energy Class A+
- Net Volume: 108L
- Gross Volume: 112L
- Manual defrost
- Mechanical temperature control
- Climate: T
- Adjustable leg
- Separate freezer compartment
- Energy saving
- Reversible door
- Transparent drawers
- Interior light
- Tempered glass shelf
- Finish Colour: White
- 2L bottle rack
- Load Capacity 40HC: 275
- Dimension (WxDxH)(mm): 470x500x850



R12042W01

Mini Fridge

- Energy Class A+
- Net Volume: 93L
- Gross/Net kg: 23,5/21,7 kg
- Load Capacity 40HC: 338
- Mechanical control
- Energy saving
- Flush Back Design
- Adjustable Leg
- Vegetable Crisper
- Reversible door
- 2L bottle rack
- R600a Refrigerant
- 43dB Noise level
- 65W
- 220-240V/50Hz
- Climate: T
- Finish Colour: White
- Dimension (WxDxH)(mm): 472mmx45mmx85mm



R12075W01

Minibar

- Energy Level option A+
- Capacity Lt. Cooler / Freezer parts 43L as net capacity; 45L as gross capacity;
- Gross Weight 15,8
- Net weight 14,3
- Condenser Type Inside
- Temp. Control option Mechanical
- Noise Level 42db
- Reversible Door Option
- Shelves qty and materials 1 wire shelf
- Recessed handle
- White Colour
- Voltage / Frequency information 220-240V/50Hz
- Unit Dimension 472x450x492
- Package Dimension 520x465x503



FREEZER



A⁺

F22005S02

Chest Freezer

- Energy Class A+
- Real capacity: 99L
- 27kg gross / 24 kg net
- Climate: T
- Mechanical Control
- Outside Condenser
- Manual defrost
- LED Light
- Handle
- Lock
- Silver
- 40 HQ: 248 pcs
- Product: W565 x D523 x H850
- Package: W605 x D545 x H870



A⁺

F22009S02

Chest Freezer

- Energy Class A+
- Real capacity: 142L
- 33,8 kg gross / 30,8 kg net
- Climate: T
- Mechanical Control
- Outside Condenser
- Manual defrost
- LED Light
- Handle
- Lock
- Silver
- 40 HQ: 214 pcs
- Product: W730 x D523 x H850
- Package: W770 x D545 x H870

FREEZER



A+

F22015S01

Chest Freezer

- Energy Class A+
- Real capacity: 142L
- 40,6 kg gross / 36,6 kg net
- Climate: T
- Mechanical Control
- Outside Condenser
- Manual defrost
- LED Light
- Handle
- Lock
- Silver
- 40 HQ: 214 pcs
- Product: W945 x D523 x H850
- Package: W985 x D545 x H870



A+ |

F22006W01

Upright Freezer

- Energy Class A+
- Net Volume: 85L
- Gross Volume: 92L
- Climate: T
- Electronic Control
- Manual defrost
- Weight (kg) Net / Gross: 33/35
- Finish Colour: White
- 4 drawers
- 41 dB Noise level
- Transparent drawers
- 20' / 40' / 40'HC Quantity (piece): 102/199/236
- Product: W550 x D580 x H850
- Package: W570 x D588 x H885



A+

HS-108FN

Upright Freezer

- Energy Class A+
- Net Volume: 86L
- Gross Volume: 93L
- Freezing Capacity(kg/24h): 6
- Climate: T
- Manuel Temperature Control
- Manual defrost
- Weight (kg) Net / Gross: 29/31,3
- Finish Colour: White
- 3 drawers
- 39 dB Noise level
- Transparent drawers
- 20' / 40' / 40'HC Quantity (piece): 102/199/236
- Product: W553 x D574 x H845
- Package: W574 x D595 x H865



A+

HS-218FN

Upright Freezer

- Energy Class A+
- Net Volume: 165L
- Gross Volume: 180L
- Freezing Capacity(kg/24h): 10
- Climate: T
- Manuel Temperature Control
- Manual defrost
- Weight (kg) Net / Gross: 44/48
- Finish Colour: White
- 5 drawers + 1 pizza box
- 42 dB Noise level
- Transparent drawers
- 40'HC Quantity (piece): 144
- Product: W550 x D550 x H1430
- Package: W580 x D580 x H1455

FREEZER



F22012X01

Upright Freezer

- Energy Class A+
- 163 l Total Net Volume
- 182 l Total gross Volume
- Climate: T
- Electronic Control
- Inox
- 45kg net weight / 49kg gross weight
- 6 drawers
- 42 dB noise level
- 256 kWh/(year) energy consumption
- R600a/90g
- 220-240v/50Hz 95 watt
- Quantity(piece) 40/40HQ: 108/142
- Product: W550 x D580 x H1420
- Package: W675 x D605 x H1473



HS-312FWEN

No Frost Upright Freezer

- Energy Class A+
- Net Volume: 232L
- Gross Volume: 261L
- Freezing Capacity(kg/24h): 15
- Climate: T
- Manual Temperature Control
- Transparent drawers
- Finish Colour: White
- Weight (kg) Net / Gross: 61,5/68,5
- Total No Frost
- 6 drawers
- 42 dB Noise level
- 40HC Quantity (piece): 73
- Product: W595 x D632 x H1722
- Package: W657 x D688 x H1763



F22007X01

Upright Freezer

- Energy Class A+
- Net Volume: 225 L
- Gross Volume: 245L
- 59kg net / 64kg gross
- Climate: T
- Electronic Control
- Inox
- 7 drawers
- 42 dB Noise Level
- 256 kWh/(year) energy consumption
- R600a/90g
- 220-240v/50Hz 95 watt
- Quantity(Piece) 40/40HQ: 54/74
- Product: W600 x D600 x H1700
- Package: W650 x D635 x H1783

DISHWASHERS

A genuinely functional space that makes life easier after a pleasant meal, complete with an aesthetic look and functionality that helps make your kitchen more ergonomic.

DISHWASHERS

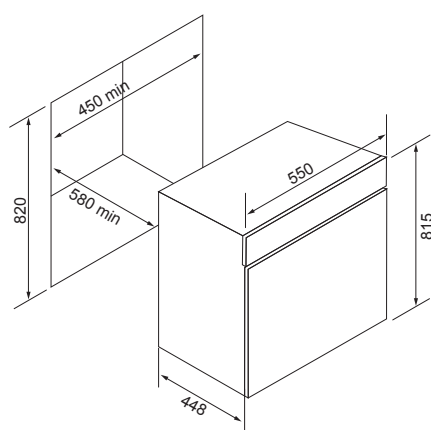


A⁺⁺ | **10** Settings | **6** Program

D11018X01

Full-Integrated Dishwasher

- 60 cm
- White body + Black Control Panel + Silver buttons
- Capacity for 10 place settings
- Electronic control
- 6 washing programs
- Hidden Heating (flow heating)
- Grey baskets
- Aqua-stop inlet hose
- Memory Function
- Energy consumption: A⁺⁺
- Cleaning Performance: A
- Drying Performance: A
- 2520 l water consumption
- 3/6/9 hours
- Sliding Dispenser
- Water softener
- Upper & lower spray arms
- Half Load

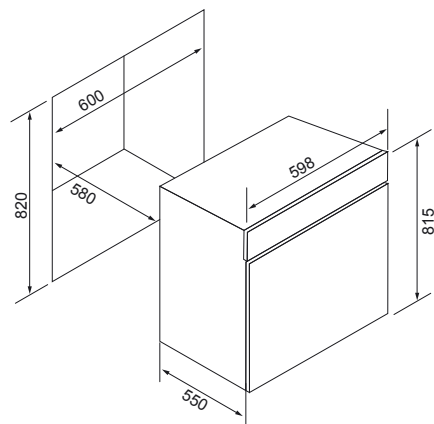


A⁺⁺ | **12** Settings | **6** Program

D11011X01

Full-Integrated Dishwasher

- White body + Black Control Panel + Silver buttons
- Capacity for 12 place settings
- Electronic control
- 6 Program
- Hidden Heating (flow heating)
- Grey baskets
- Aqua-stop inlet hose
- Memory Function
- Energy consumption: A⁺⁺
- Cleaning Performance: A
- Drying Performance: A
- 3080 l water consumption
- 3/6/9 hours delay start
- Sliding Dispenser
- Water softener
- Upper & lower spray arms
- Half Load

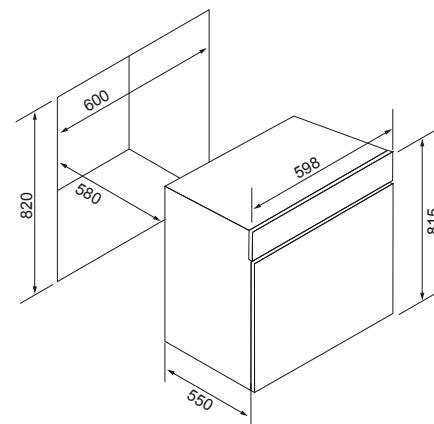


A⁺ | **14** Settings | **6** Program

D11024X01

Full Integrated Dishwasher

- 60 cm
- White body + Black Control Panel + Silver buttons
- 11 LT Water Consumption
- 14 Place Sets
- 52dB Noise Level
- A+ Energy Level
- 6 Program
- LED display
- 40 HQ: 162 pcs
- Water softener
- Aqua stop inlet hose
- Flip Dispenser
- 1-24 hours delay start
- Half Load
- Third Layer Cutlery Basket

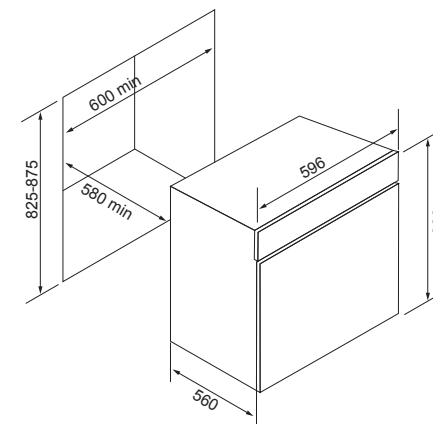


A⁺ | **12** Settings | **5** Program

D11033B01

Full Integrated Dishwasher

- 60 cm
- Black Glass Outdoor Panel
- Silver Colour Control Panel
- White LED Light
- 12 Capacity Settings
- A+ Energy Level
- 12L water consumption
- 49dB Noise Level
- 1-24 hr delay start
- Child Lock
- Grey baskets
- 5 programs
- Electronic Aqua Stop
- Stainless Steel Filter

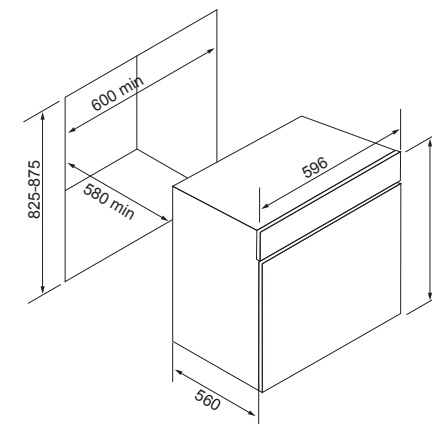


A⁺ | **12** Settings | **5** Program

D11033W01

Full Integrated Dishwasher

- 60 cm
- White Glass Outdoor Panel
- Silver Colour Control Panel
- White LED Light
- 12 Capacity Settings
- A+ Energy Level
- 12L water consumption
- 49dB Noise Level
- 1-24 hr delay start
- Child Lock
- Grey baskets
- 5 programs
- Electronic Aqua Stop
- Stainless Steel Filter

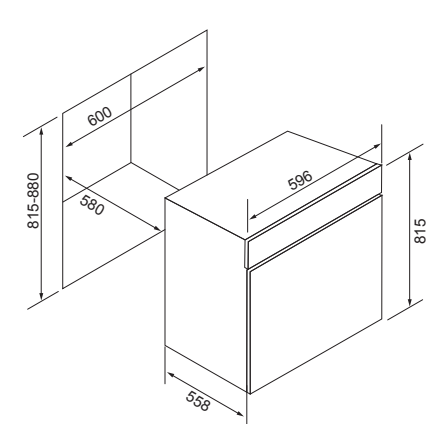


A⁺⁺ | **12** Settings | **3** Program

ABM11029X01

Semi Integrated Dishwasher

- 60 cm
- Inox control panel+SS inner cavity + Silver Body
- 12 place settings
- 13L water consumption
- Grey baskets
- 49dB Noise Level
- A⁺⁺ Energy Level
- Stainless Steel Filter
- White LED indicator
- 3/6/9 hr delay start
- Electronic Aqua Stop
- 3 programs



DISHWASHERS

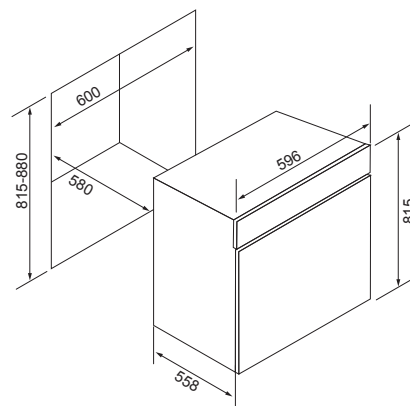


A⁺⁺ | **12** Settings | **6** Program

D11030B01

Semi Integrated Dishwasher

- 60 cm
- Plastic black control panel + SS inner cavity + Black Body
- 12 Capacity Settings
- A++ Energy Level
- 49dB Noise Level
- White LED Light
- Grey Basket
- Stainless Steel Filter
- 1-24 hr delay start
- 6 programs
- 11L water consumption
- Child Lock
- Electronic Aqua Stop

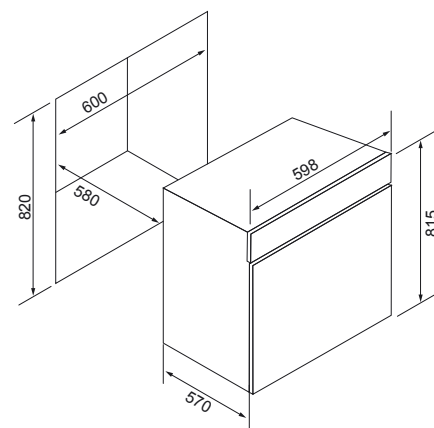


A⁺⁺ | **12** Settings | **6** Program

D11012X01

Semi-Integrated Dishwasher

- 60 cm
- White body Silver Control Panel Silver button S.S Control Panel Inlay
- 12 place settings
- 6 Programs
- A++AA
- Aquastop inlet hose
- Delay Start (3/6/9/12 hours)
- 48 dB
- Grey basket colour (2 basket levels)
- 1x Basket Handle
- 3080 l water consumption
- White LED indicator
- Sliding Dispenser
- Water softener

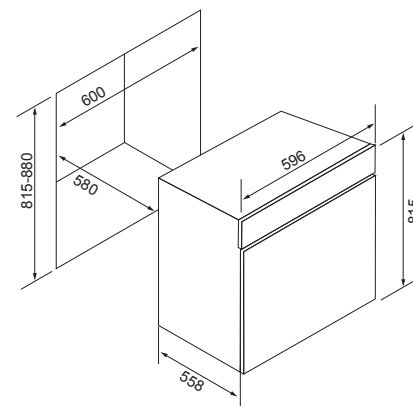


A⁺⁺ | **12** Settings | **6** Program

ABM11028B01

Semi Integrated Dishwasher

- 60 cm
- Inox control panel+SS inner cavity + Silver Body
- Inox Frame Black Touch Control Panel
- 12 place settings
- 11,5L water consumption
- A++ Energy Level
- 6 programs
- Grey basket
- Stainless Steel Filter
- White LED indicator
- 1-24 hr delay start
- Electronic Aqua Stop
- Child Lock



A⁺ | **14** Settings | **8** Program

D11026X01

Fresstanding

- Inox Door
- 14 Place Sets
- 10l Water Consumption
- 8 Program
- A+
- 52db
- LED Screen
- 40HQ: 162 pcs

WASHING MACHINE

Silverline washing machines are designed to meet a multitude of requirements while fitting perfectly into any home and space.

WASHING MACHINE



A++ | **6** Kg | **8** Program

WM14016S01

Washing Machine

- A++
- Washing Capacity : 6 KG
- 48Water consumption (L/Cycle)
- 0,77Energy Consumption (kWh/Cycle)
- 10560Water Consumption (L/Anual)
- 170Energy Consumption (kWh/Anual)
- Weight53
- Weight with packing57
- 1000 RPM
- 8 program
- Drum 41L
- Prewash
- Pre Delay/Time Delay
- Child-Lock
- Adjustable Leg10
- Loading Quantit (40HQ) 225
- Silver Color
- Free standing Washing Machine
- Dimension (W*D*H)595x480x850 mm
- Dimension with packing (W*D*H)657x535x885 mm



A+++ | **7** Kg | **12** Program

WM14017S01

Washing Machine

- A+++
- Washing Capacity : 7 KG
- Water consumption (L/Cycle)52,5
- Energy Consumption (kWh/Cycle)0,89
- Water Consumption (L/Anual)11500
- Energy Consumption (kWh/Anual)196
- Weight58
- Weight with packing63
- 1200 RPM
- 12 program
- Drum 58L
- Pre Delay/Time Delay
- Child-Lock
- Adjustable Leg10
- Loading Quantity (40HQ) 215
- Silver colour
- Small Led display
- Operation voltage AC 220-240V
- Rated Frequency50Hz
- Rated Heating Input power (W)2000W
- Max.Input Power (W)2200W
- Rated Washing Input power (W)320W
- Spinning Input power (W)520W
- Tub Clean
- Spin Only
- No Spin
- Dimension (W*D*H)595x510x850 mm
- Dimension with packing (W*D*H)660x645x885 mm



A+++ | **8** Kg | **16** Program

WM14010S01

Washing Machine

- Efficiency A+++
- Capacity Range 8kg
- Max Spin Speed 1400 RPM
- Self diagnose
- Fault Check
- Overheating Control
- Delay Start
- Auto balance / Child Lock
- Super Size Door
- Colour SILVER
- Led Display
- Loading Quantities (20ft/40ft/40HC): 70/144/225
- Speed & Storm Wash
- Pre-wash / My Cycle / Extra rinse
- Baby wash / Wool
- Black Carbon Door



B | **8** Kg | **16** Program

WD14009W01

Washing Machine

- B Energy Class
- White
- 8 kg washing capacity/6 kg drying capacity
- Energy consumption: 1296 kWh/year
- Water consumption: 20800L/year
- 16 Programs
- Delay programme (24 hours)
- Child Lock
- Loading Quantities (20ft/40ft/40HC): 70/144/225
- LED Display
- 1400rpm spin speed
- Volume of inner Tub: 52,7 L
- Mute-washing
- Memory (Press 3 seconds)
- Reload (Press 3 seconds)
- Prewash
- intensive
- Speed Wash
- Extra Rinse
- Easy iron
- Spin Speed Selection
- Temperature Selection
- 31 cm door diameter
- Noise Level-Wash/Dry (dB): 59/62
- Product Dimensions (WxDxH): 595* 470* 850mm
- Box Dimensions (WxDxH): 655* 555* 885mm



A+++ | **8,5** Kg | **16** Program

WM14015B01

Washing Machine

- Black Colour
- 8,5 kg front loading
- net weight: 60kg
- gross weight: 63kg
- Solo Washing Machine
- chrome door & plastic cover & chrome knob
- 1200 rpm
- Time delay
- delay, rinse, speed, temp, add garment, child lock,
- sound off button control
- wash noise level 62 db
- spin noise level 75 db
- 220-240v/50hz
- Single water inlet
- Big led display
- Eu plug
- Child lock
- Door lock
- 40 hq 171 pcs
- Time display
- 3 phase motor inveter control
- net 595*560*850 mm
- gross 650*615*890 mm



A | **10** Kg | **16** Program

WD14008S01

Washing Machine

- Energy Efficiency Class A
- Colour : Silver
- Net Weight : 73 Kg
- Gross Weight : 77 Kg
- Rated Power Supply : 220-240 V
- Rated Frequency : 50 Hz
- Rated Washing Capacity : 10 Kg
- Rated Spinning Capacity : 10 Kg
- Rated drying Capacity : 7 Kg
- Rated Power : 2000 W
- Rated Current : 10 A
- Power consumption left-on mode : 1 W
- Power consumption off-mode : 0,5 W
- Max. Spin Speed : 1600 RPM
- Standard Water Pressure : 0.05 - 1 Mpa
- Display Type : LED
- Display Colour : Orange
- Door Lock : Electromagnetic Lock
- Motor : BLDC Motor
- Plug type : Euro Plug
- Power cord length : 1,5 M
- Water Inlet Hose Length : 1 M
- Water Outlet Hose Length : 1,6 M
- Washing Performance Class : A
- Spin-drying Efficiency Class : A
- Wash Ratio : 1,03
- Moisture Ratio : 45%
- Number Of Program : 16
- Volume Of Inner Tub : 70 L
- Diameter Of Inner Tub : 510 mm
- Door Diameter : 330 mm
- Door Outer Frame Diameter (outer) : 480 mm
- Loading Quantities (20ft/40ft/40HC) : 48/102/153
- Net Dimensions (WxDxH) : 595 x 565 x 850
- Gross Dimensions (WxDxH) : 680 x 695 x 875

WASHING MACHINE



A+++ | 9 Kg | 16 Program

WM14007X01

Washing Machine

- Energy Efficiency Class : A+++ -10%
- Colour : Inox
- Net Weight : 71 Kg
- Gross Weight : 76 Kg
- Rated Power Supply : 220-240 V
- Rated Frequency : 50 Hz
- Rated Washing Capacity : 9 Kg
- Rated Spinning Capacity : 9 Kg
- Rated Power : 2000 W
- Rated Current : 10 A
- Power consumption left-on mode : 1 W
- Power consumption off-mode : 0,5 W
- Max. Spin Speed : 1400 RPM
- Standard Water Pressure : 0,05-1 Mpa
- Display Type : LED
- Display Colour : Orange
- Door Lock : PTC Lock
- Motor : AC Motor
- Plug type : Euro Plug
- Power cord length : 1,5 M
- Water Inlet Hose Length : 1 M
- Water Outlet Hose Length : 1,6 M
- Moisture Ratio : 53%
- Number Of Program : 16
- Volume Of Inner Tub : 56,2 L
- Diameter Of Inner Tub : 472 mm
- Port hole : 310 mm
- Door Outer Frame Diameter (outer) : 480 mm
- Loading Quantities (20ft/40ft/40HC) : 48/108/159
- Net Dimensions (WxDxH) : 595 x 565 x 850
- Gross Dimensions (WxDxH) : 680 x 660 x 875



■ NOTES

Lined area for notes on the left page.

Lined area for notes on the right page.

■ NOTES

Handwriting practice lines on the left page. The page contains 30 horizontal dotted lines for tracing and writing practice.

Handwriting practice lines on the right page. The page contains 30 horizontal dotted lines for tracing and writing practice.

www.silverline.com

TURQUALITY

SILVERLINE BUILT-IN APPLIANCES CO.
Silkar Plaza, Topkapı-Maltepe St. No: 6 Floor: 3
Bayrampaşa / İstanbul / TURKEY P.O. 34030
Phone: +90212.484 48 00 (pbx) Fax. +90212.481 40 08

contact@silverline.com