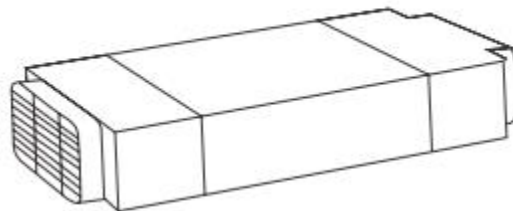
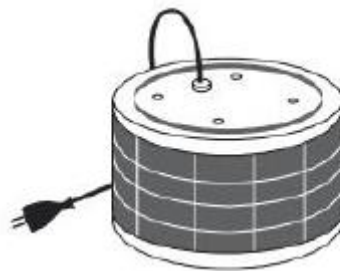


SILVERLINE®

User Guide PLASMA FILTER



IMPORTANT WARNINGS

- Only use the plasma filters with a commercially available extraction unit with grease filters in combination with fire-retardant properties.
- If the line is damaged, return the device to the dealer/manufacturer for scrapping.
- There should always be good ventilation to ensure that there is sufficient oxygen in the room air. Commercial branded hoods also point this out!
- Please do not put any objects into the plasma module! There is a risk of electric shock! ALWAYS work on the module with the mains plug unplugged!
- Touching with wet hands or objects also implies a risk of electric shock. Always work on the module with the mains plug unplugged!
- The blocking of the air inlet or outlet is to be avoided in any case. If necessary, unplug the mains plug!
- If the module shows damage, it must not be used!
- Persons with reduced physical, sensory or mental abilities or the lack of experience, such as children from the age of 8 may use this module only under the supervision of a competent person. Further warnings can be found in the following chapters.
- The module is not to be used as a toy for children!
- Cleaning or maintenance work must not be carried out by children without a competent person!
- Please follow the installation instructions and warnings of your extractor hood.
- This Plasma was designed exclusively for use in private households!
- As in the manual of your extractor hood, we would also like to point out that you should never allow high flames to develop under the hood! Also do not flambé under fume hoods, as both can lead to a fire hazard and cause considerable consequential damage!
- Likewise, overheated oil poses a potential fire hazard. Never extinguish with water!
- Carbon monoxide or other chemical gases cannot be removed with the plasma filter!

WARNINGS AND INSTRUCTIONS FOR INSTALLATION

- The plasma filter module should only be connected with the cable connector belonging to the unit! (Warranty)
- Carefully open the packaging, remove the Plasmafilter module and check the packing unit for completeness!
Keep the packaging in a safe place until the functional test has been carried out to ensure correct operation and, if necessary, use it for return shipments. Otherwise, please dispose of in an environmentally friendly manner. Thank you!
- Please refer to the illustrated installation instructions below and follow them step-by-step. Check the connection between the Plasmafilter module and the motor outlet for strength to prevent air leakage for the system to operate properly.
- Check whether the mains plug is freely accessible after installation of the module! The integrated mains connection cable cannot and must not be replaced.
- NOTE: Failure to install the Plasmafilter in accordance with these instructions will void the warranty on the plasma filter with immediate effect!
- All Plasmafilter modules listed in this manual are plug-in products. For details, please refer to the installation instructions and the following pages.
- The mains supply should be provided by a nearby socket (210-250 V / 50 Hz).
- Potential small black spherical particles in the packaging may have originated from the high-performance carbon filter and released during transport. These particles are harmless and can be disposed of with household waste. Please do not use them for consumption! The functionality of the Plasmafilter will not be affected!
- The device may only be operated with the supplied power line.



MOUNTING INSTRUCTIONS RONDO

The plasma filter is placed on the cooker hood motor (Fig. E). With this plasma filter system, you transform your cooker hood into an air purification unit with an absorption of all odours, viruses and bacteria up to 98%.

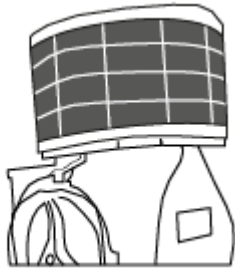
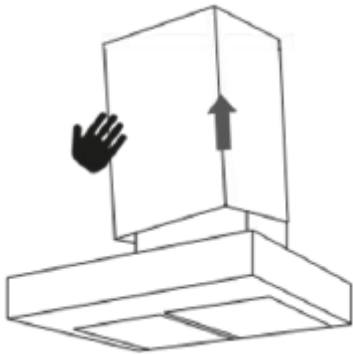


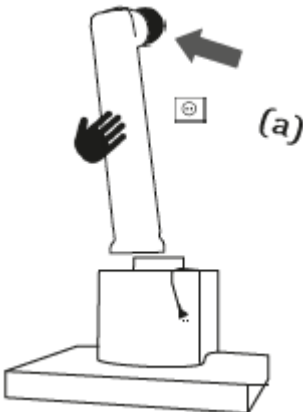
Fig. E

To install the filter, proceed as follows:

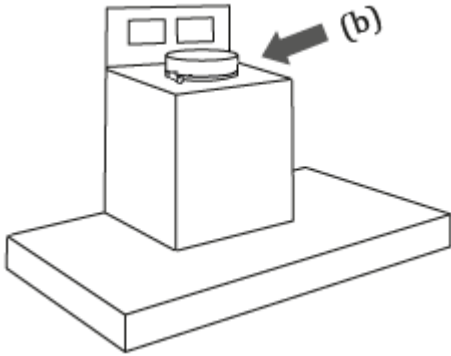
1. Remove the chimney shaft and disconnect the hood from the mains.



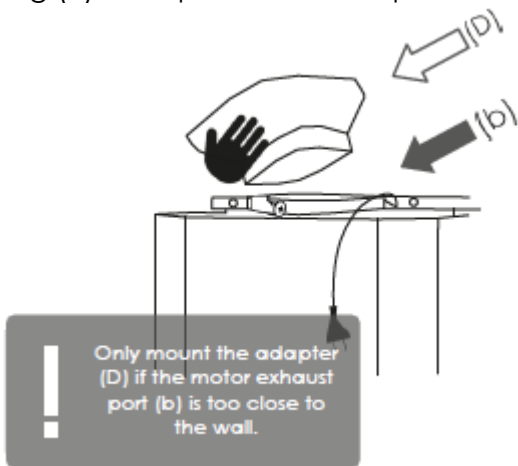
2. Remove the exhaust hose or carbon filter and, if present, close the exhaust hole (a).



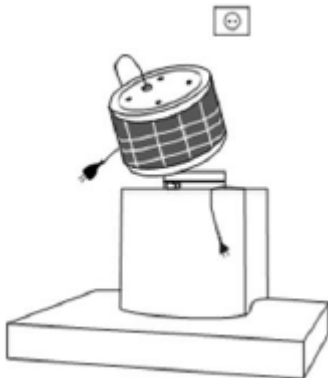
3. Place an O-ring (B) over the connecting piece (b) and tighten the hose clamp.



3. If the adapter (D) is used, place it on the connecting piece (b) and slide the second O-ring (B) on top over the adapter.

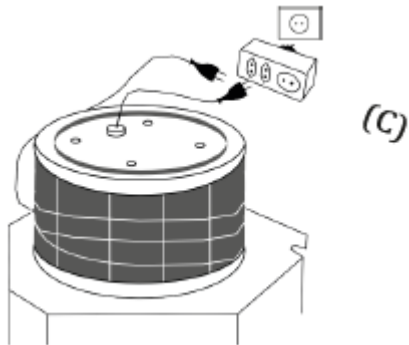


4. Place the filter (A) on the adapter (D) or directly on the exhaust port (b) with the O-rings already installed.

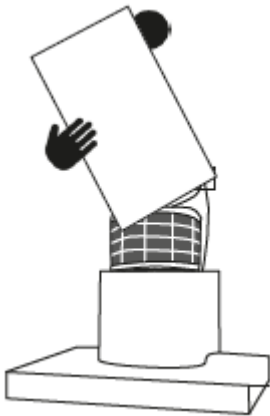


SILVERLINE®

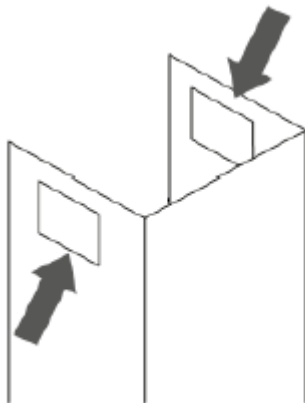
5. Connect the hood and filter plug with the triple plug adapter (C) (not included in all models).



6. Put the chimney shaft back on the hood.



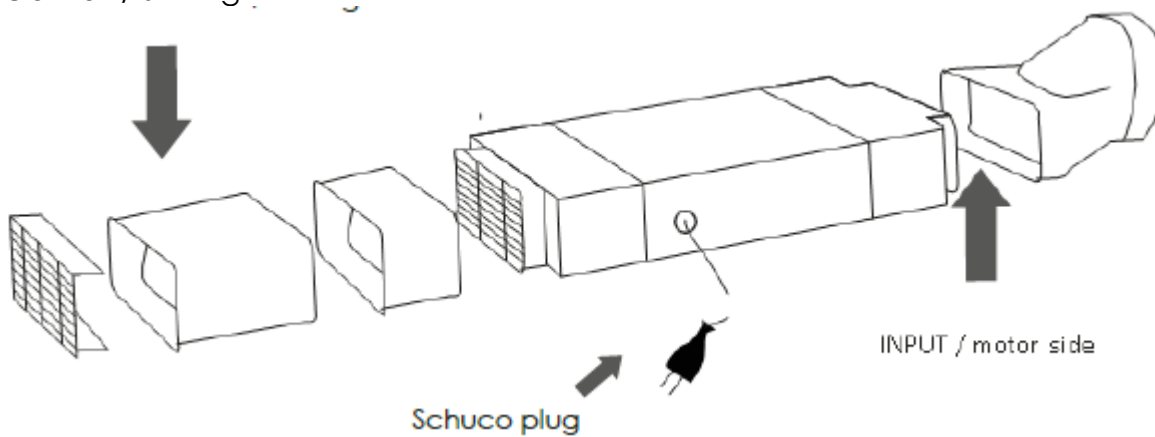
7. There must be sufficient ventilation slots in the chimney shaft from which the circulating air can escape:



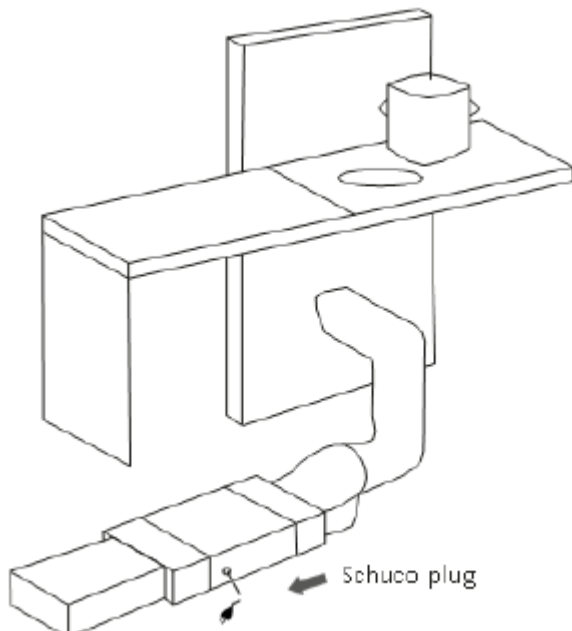
MOUNTING INSTRUCTIONS QUADRO

1. The AVITANA® air Quadro can be mounted in almost any position (transverse, vertical, upright, etc.). The only decisive factor is the correct positioning of the motor side and the resulting output.

OUTPUT / skirting



2. Depending on the components used, the connections must be sealed.



WARNINGS FOR OPERATION

For optimal room air cleaning, it is imperative for your extractor hood to be adequately ventilated and adapted to the respective steam development:

- Start your extractor hood at level 1 or 2 10 minutes before cooking
- After completing the cooking process, the extractor hood must run for at least 10 minutes at level 1 or 2
- If the volume of the room exceeds 50m³ (width x length x height = room volume), the follow-up time should be at least 15 minutes
- The distance between the filter and the furnishings should be at least 10 mm.
- If grills or deep fryers are used, double the time required for post-ventilation.

The plasma module acts as an air purifier even at low speed, clearing the air not only from kitchen fumes and odours, but also all sorts of allergens, bacteria, pollen and viruses, ensuring healthy indoor air!

CARE AND MAINTENANCE

If the AVITANA®aira filter module is installed according to the installation instructions, it requires no maintenance. The AVITANA®aira filter module starts the automated cleaning process as soon as it is in operation.

The AVITANA®aira filter module is maintenance-free. Make sure, however, that the fat filter of your cooker hood is cleaned regularly and is free from grease.

SILVERLINE®

WARRANTY AND CONDITIONS

We are extremely happy about your purchase of one of our high-tech modules and are convinced that your living comfort will be enhanced by fresh and purified air.

We grant a **60-month warranty** on our products, provided that they are installed correctly and professionally. It is essential to observe the pre- and post-run times of the cooker hood (see page 10 Warnings for operation).

If you still have reasons to complain, please contact your dealer, who will then contact us.

Together we will find a solution.

FINAL REMARKS

The operating instructions of the manufacturer must be read carefully before installation!

If there is no function, please check first:

- a) whether the power supply is guaranteed (check socket / possibly connect another device)
- b) whether the appliance plug is faulty or firmly plugged into the socket.

The INSTALLATION OF this plasma filter!

This Plasma filter is relatively easy to install. The installation of this plasma filter is intended as retrofitting or conversion of an already existing extractor hood unit or its use in circulating air operation.

The step-by-step procedure is described in this installation description.

Please dispose of it in an environmentally friendly way. Thank you!

This plasma filter module complies with the requirements of the EU regulations and the WEEE (Waste Electrical and Electronic Equipment) Directives! All components of the plasma module are recyclable!

The packaging materials can be environmentally friendly recycled.

This installation instruction has been prepared by our technicians with all due care. No legal claims can be derived from printing or spelling mistakes!



The manufacturer of the product(s) described herein, to which this declaration refers, hereby declares under his sole responsibility that these product(s) comply with the relevant, basic safety, health and protection requirements of the existing EC Directives and that the corresponding test control, in particular the CE Declaration of Conformity duly issued by the manufacturer or his authorised representative, is available for inspection by the competent authorities and can be requested via the equipment vendor.