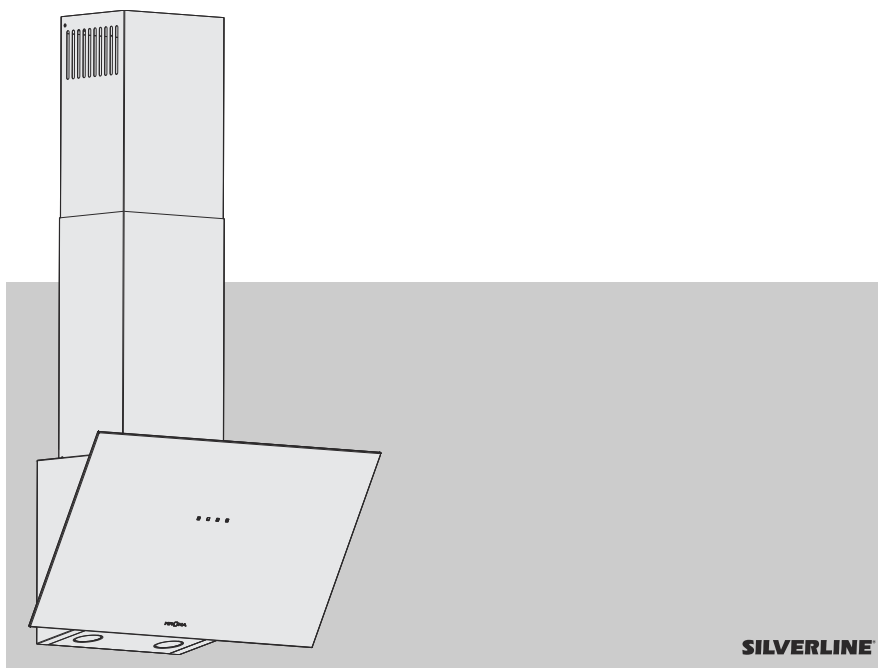


# Assembly instructions

HOOD USER GUIDE

ENGLISH



ASK SL3461-60 SR

ASK SL3461-90 SR

Read this manual prior to performing any task!

MANUFACTURER

Merzifon OSB AMASYA, Silverline

IMPORTER

Jilmas Group Nordic ApS Eli Christensens Vej 90, 7430 Ikast Denmark

Telephone: +45 70104014

Fax: +45 70131389

E-mail: [info@silverline.dk](mailto:info@silverline.dk)

Internet: [www.silverline.dk](http://www.silverline.dk)

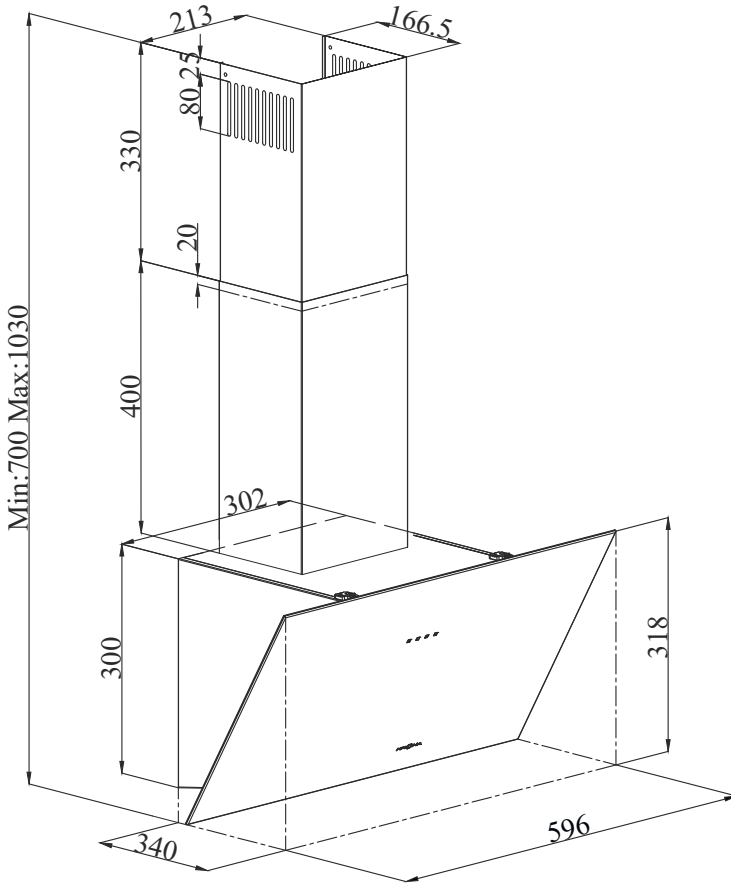
1, en\_US

© SILVERLINE

# Table of contents

<b>1</b>	<b>Technical Drawing</b> .....	<b>4</b>
<b>2</b>	<b>WARNING AND SAFETY PRECAUTIONS</b> .....	<b>6</b>
	2.1 LETHAL RISK, DANGER OF POISONING.....	8
<b>3</b>	<b>USAGE WITH AND WITHOUT CARBON FILTER</b> .....	<b>13</b>
	3.1 CARBON FILTER REPLACEMENT.....	14
<b>4</b>	<b>CLEANING AND PREVENTIVE MAINTENANCE</b> .....	<b>15</b>
	4.1 ALUMINIUM FILTER CLEANING.....	15
	4.1.1 Washing in Dishwasher.....	16
	4.1.2 Hand Wash.....	16
<b>5</b>	<b>APPLIANCE POSITION</b> .....	<b>17</b>
	5.1 Installation / Assembly.....	17
	5.2 Recommendations for Energy Saving.....	17
<b>6</b>	<b>CONTENT OF PACKAGE</b> .....	<b>19</b>
<b>7</b>	<b>OVERVIEW OF hood</b> .....	<b>20</b>
<b>8</b>	<b>Installation</b> .....	<b>21</b>
<b>9</b>	<b>Installing Sheet Metal Flues</b> .....	<b>24</b>
<b>10</b>	<b>USE OF PRODUCT</b> .....	<b>25</b>
	10.1 3 Spd Touch Product Usage.....	25
<b>11</b>	<b>REPLACING THE LAMPS</b> .....	<b>26</b>
<b>12</b>	<b>Technical Table</b> .....	<b>27</b>

# 1 Technical Drawing



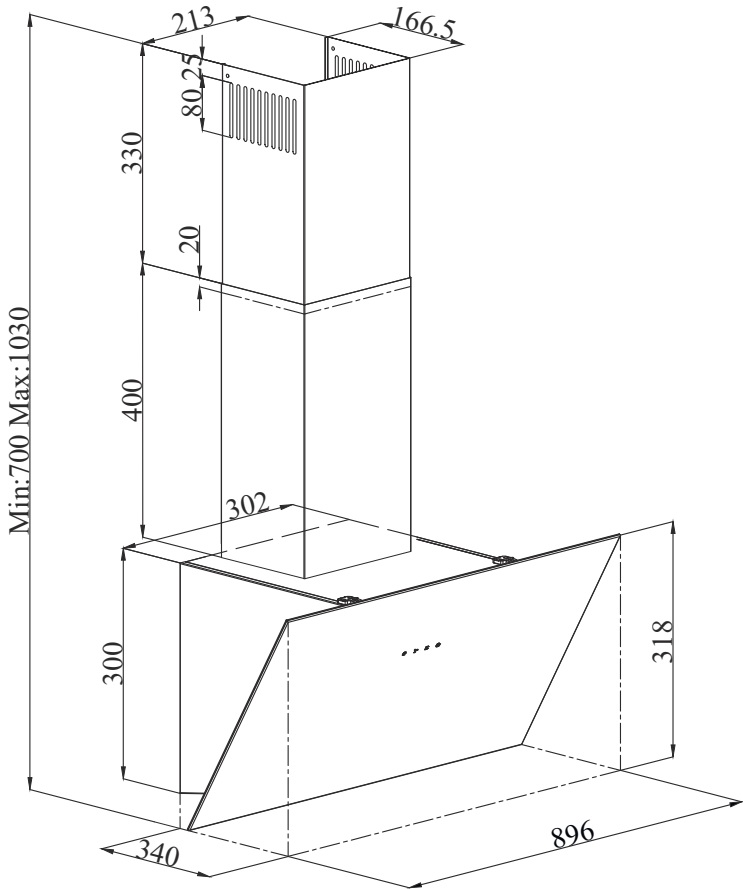


Fig. 1

## 2 WARNING AND SAFETY PRECAUTIONS

### WARNING AND SAFETY PRECAUTIONS

- This appliance can be used by children of 8 years and older, people with physical, sensory or mental capability deficiency or people with lack of experience or knowledge; as long as they are provided supervision or instructions for the safe use of the appliance and they comprehend the dangers.
- Children should not tamper with the appliance. Cleaning and user maintenance operations must not be performed by children unless supervised.
- This product is designed for home use.
- Usage voltage of your product is 220-240 Volt~50-60 Hz.
- Power cord of your product is fitted with a grounded plug. This cord must be plugged into a grounded outlet.
- The whole electrical wiring must be installed by a qualified electrician.
- Installation by unauthorized persons could lead to poor operation performance, damage to the product, and accidents.
- Feeder cable of the appliance mustn't be exposed to jamming or crashing during assembly. Feeder cable mustn't be placed near the cooker. In such cases, it might melt down and lead to fire.
- Do not plug in the appliance before the installation.
- Make sure that the installation place allows the user to easily unplug the power cable in case of any danger.
- Do not touch your product's lamps when they work for a long time. The lamps may burn your hand as they will be hot.
- Kitchen hoods are manufactured for household use in normal home cooking. There is a risk of malfunction in other types of use, and the product guarantee will be void.
- Comply with the rules and instructions regarding discharge of outgoing air, stipulated by the relevant authorities. (This warning does not apply to uses without flue.)
- Flammable foods must not be cooked under the appliance.
- Start your product after you place pot, pan etc. on the stoves. Otherwise, high temperature may cause same parts of your products to deform.
- Turn off the cooker's burner before taking the saucepan, pan, etc. off the cooker.
- Do not leave boiling oil on the stove. Pots that contain boiling oil may catch fire by itself.
- Since oils could catch fire when you cook fried foods in particular, be careful about your curtains and tablecloths.
- Ensure timely replacement of the filters. Filters not replaced in a timely manner pose risk of fire due to accumulated grease deposits on them.

- Do not use non-fire-resistant filtering materials instead of the filter.
- Do not operate your product without filter, and do not remove the filters when the product is in operation.
- In case of any fire, de-energize the hood and any other cooking devices. (Plug off the appliance or turn off the main switch.)
- If your product's periodic cleaning is not made in a timely manner, it could pose risk of fire.
- De-energize the appliance before any maintenance operations. (Plug off the appliance or turn off the main switch.)
- When electric cooker hood and devices fed with energies other than electricity operate simultaneously, the negative pressure in the room must not exceed 4 Pa ( 4 X 10 bar ).
- Gas or fuel oil burning appliances, such as room heaters, which share the same environment with your product, must be fully insulated from the exhaust of this product or they must be hermetic.
- When you make a flue connection for your product, use pipes with a diameter of 150mm or 120 mm. The length of the duct connection as well as the number of elbows must be as minimum as possible.
- Children must not play with the appliance.
- For your safety, use "MAX 6 A" fuse in the hood system.
- Since the packing materials could be dangerous, keep them away from children.
- If the feeder cable is damaged, it must be replaced by its manufacturer or its authorized technical service or any other personnel qualified at the same level, in order to avoid any dangerous situation.
- In case of any deflagration, de-energize the cooker hood and cooking appliances, and cover the flame. Never use water to extinguish the fire.
- When cooking appliances are in operation, their accessible parts could be hot.
- This appliance is not intended to be used by people with physical, sensory and mental disabilities (including children) or those who do not have adequate experience and knowledge regarding its use, unless they are under the supervision of a person responsible for the safety of the appliance.
- Output of the hood must not be connected to air ducts, where smoke from other sources could exist.
- You must be careful when using the appliance spontaneously with other appliances (e.g. gas, diesel fuels, coal, wood, etc. burning heaters, shower heaters), which use the same air in the same environment. Attention must be paid when using them simultaneously. It is because the hood could adversely affect the combustion, by discharging the ambient air.

LETHAL RISK, DANGER OF POISONING

- This warning does not apply to uses without flue.
- When electric cooker hood is used simultaneously with devices that use gas or other fuels, there must be sufficient ventilation in the room (might not apply to devices that discharges the air back into the room).

## 2.1 LETHAL RISK, DANGER OF POISONING

 **DANGER!**

### Warning - Choking Hazard

The packaging materials are dangerous for children. Never allow children to play with packaging materials.

 **DANGER!**

### Warning - Death Hazard

There are life-threatening danger and poisoning danger due to reabsorbed combustion gases. During the air discharge outlet use, unless sufficient air supply is provided, do not use the appliance simultaneously with devices that discharge toxic gases through flue such as ventilated, gas, oil, wood or coal burning heaters, shower heaters, water heaters, etc.Fig. 2



*Fig. 2: Poisoning Danger*

Ventilated goods (e.g. gas, oil, wood or coal burning heaters, shower heaters, water heaters) take combustion air from the installation location, and discharge the waste gas through a waste gas system (e.g. flue). When the cooker hood is active, it absorbs air from the kitchen and neighbouring rooms. If adequate air entry is not provided, vacuum emerges. In such a case, the toxic gases are absorbed from the flue and waste gas channel, and are taken into the door again. Fig. 2



- Therefore, adequate fresh air ingress must always be ensured. Fig. 3

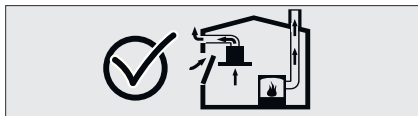


Fig. 3

### **WARNING!**

#### **Fire danger!**

- The oil residue in the grease filter may catch fire. **Clean the grease filter at least once every 3 months.** Never operate the device without the grease filter .
- The oil residue in the grease filter may catch fire. Never work with open flame (ex. flambe) near the device. The apparatus is allowed to be installed near a solid fuel (e.g. wood or coal) heater only if it has a non-removable cover. No sparks should be scattered.
- Hot oils and fats catch fire easily. Hot oils and fats should never be left unattended. Never try to put out fire with water. Turn off the cooker. Kill the flames carefully using a cover, fire blanket or a similar material.
- Gas operated cookers that do not have a cooking pot on create high heat during operation. A ventilation device placed over the cookers can be damaged or burned for this reason. Operate gas cookers only when there is a cooking pot on them.
- Operating multiple gas cookers simultaneously creates high heat. A ventilation device placed over the cookers can be dam-

aged or burned for this reason. Never operate two gas cookers longer than 15 minutes on high flame setting. A large burner over 5kW (Wok) has the power of two gas burners.



**WARNING!**

**Electrocution hazard!**

- A malfunctioning device may cause electric shock. Never turn on a malfunctioning device. Pull the power plug and switch off the circuit breaker. Call customer service.
- Unsuitable repairs pose hazards. Repairs and replacement of damaged power cords must be performed only by a customer services technician trained by us. If the device is malfunctioning pull the power plug and switch off the circuit breaker. Call customer service.
- Water leaking into the device may cause electric shock. High pressure or steam cleaners must not be used.



**DANGER!**

**Danger of physical injury!**

- During the installation, there is a danger of physical injury due to the sharp edges. Use protective gloves throughout the installation process of the appliance.
- Due to risk of dropping the appliance, assembly of all safety bolts and covers must be performed as specified in the user manual.
- Objects placed on the appliance may fall over. Do not place any objects on the device.
- LED lights are very bright and may damage eyes (Risk group 1). You must not look directly at running LED lights for longer than 100 seconds.

**WARNING!****Risk of burn, risk of electric shock!**

- Allow the appliance to cool before cleaning or maintenance process. Switch off the fuse or pull out the mains plug from the socket.
- There is risk of damage due to ingress of moisture in the electronics. Do not clean the control components with a wet cloth.
- The surface could be damaged due to a wrong cleaning process. Clean stainless steel surfaces only in their brushing direction. Do not use a stainless steel cleaner for the control elements.
- The surface could be damaged due to aggressive and abrasive cleaning agents. Never use aggressive and abrasive cleaning agents.

**WARNING!****Dangers of fire and physical injury!**

In case of repairing that is not performed according to the rules or as required, turn off the fuse or unplug the feeder cable of your appliance. Repairing must be performed only by the authorized technical service or authorized experts.

**NOTICE!**

If the appliance is faulty or damaged, turn off the fuse or unplug the feeder cable of your appliance and call the authorized service.

**NOTICE!**

If the feeder cable is damaged, it must be replaced by its manufacturer or its authorized technical service or any other personnel qualified at the same level, in order to avoid any dangerous situation.

**! NOTICE!**

When the bulbs of the device malfunction, switch off the circuit breaker and unplug the device's power plug from the socket. Replace the defective bulbs immediately (leave bulbs to cool down first), in order to protect the remaining bulbs against overloading.

**! CAUTION!**

Accessible components might be heated when used with cooking devices.

**! DANGER!**

Air outlet pipe of this appliance mustn't be connected in the flue used to discharge the fume generated by devices that use gas or other fuels.

**! CAUTION!**

Damage hazard due to corrosion. Always run the appliance to prevent condensate formation while cooking. Condensates may cause corrosion damage. Replace the malfunctioning lamp right away to prevent overloading of other lamps. Moisture intrusion in electronic parts poses a risk of damage. Never clean the control elements with a wet cloth. The surface could be damaged due to a wrong cleaning process. Clean stainless steel surfaces only in their brushing direction. Do not use a stainless steel cleaner for the control elements. The surface could be damaged due to aggressive and abrasive cleaning agents. Never use aggressive and abrasive cleaning agents. There is a risk of damage due to condensate liquid backflow. Install the air exit canal with a small downward inclination (1° inclination) from the appliance.

**Damage reasons**

### 3 USAGE WITH AND WITHOUT CARBON FILTER



*You can use this appliance in exhaust air mode and ventilated air mode.*

#### Exhaust air mode

The absorbed air is cleaned by the grease filters, and is discharged through a piping system. Fig. 4

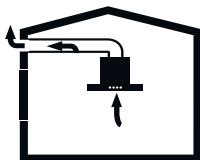


Fig. 4: Air Outlet without Carbon Filter

#### ! NOTICE!

Exhaust air must not be transferred to an inactive smoke or waste gas flue; or a flue used for ventilation of the places, where heat sources are installed.

- If you want to transfer exhaust air to an inactive smoke or waste gas flue, you need to obtain permission from an authorized chimney sweep.
- If exhaust air is discharged through the external wall, a telescopic wall safe must be used.

#### Ventilated air mode



*Absorbed air is cleaned by the grease filters and an active carbon filter, and then it is transferred back to the kitchen. Fig. 5*

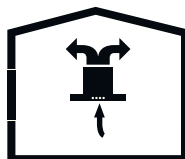


Fig. 5: Air Circulation with Carbon Filter



*You need to install an active carbon filter, in order to catch the substances, which cause stink in the circulating air. Consult your authorized dealer to know the different opportunities available for enabling the appliance to function in circulating air mode. You can buy the accessories required for this process from the relevant outlets, authorized technical service or online sales center.*

## 3.1 CARBON FILTER REPLACEMENT

### CARBON FILTER

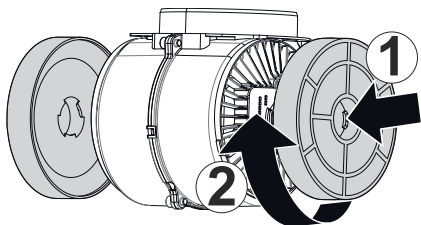


Fig. 6

The device you have purchased is suitable for use with carbon filter.

- 1-Place the carbon filter in its housing.Fig. 6
- 2-Rotating the carbon filter clockwise, ensure that it is completely fit.Fig. 6



*If carbon filter does not fit in completely, it might drop and damage your product.*



#### **DANGER!**

Never wash the carbon filters.

Keep carbon filters away from children.

## 4 CLEANING AND PREVENTIVE MAINTENANCE



### CAUTION!

Cleaning and user maintenance of the appliance shall not be performed by unattended children.

- The surface could be damaged due to aggressive and abrasive cleaning agents. Never use aggressive and abrasive cleaning agents. Procure your cleaning and protective substances that are appropriate for your appliance from the authorized technical service. Surface of appliance and control units are sensitive to scratching.
- Clean the surfaces with a soft and damp cloth, dish-washing liquid or mild glass cleaning agent. Soften the dry, sticky dirt with a damp cloth. Do not scrape!
- It is not appropriate to use dry cloths, sponges that may scratch, materials that require rubbing, and other aggressive cleaning agents containing sand, soda, acid or chlorine.
- Clean the stainless steel surfaces in their brushing direction only.
- Do not use stainless steel cleaning agents and wet clothes for control units. Cleaning of metal grease filters Used metal grease filters retain the greasy particles in the

moisture and vapour generated in the kitchen. Clean the metal grease filters about every three months, under normal use conditions (1 to 2 hours a day).

- Do not use excessively effective, acidic or alkaline cleaning agents.
- For cleaning the metal grease filters, clean the holder parts of the metal grease filters in the appliance, with a damp cloth as well.
- You can clean the metal grease filters in the dishwasher or by hand.
- Do not apply spray cleaning supplies directly to the product.
- Do not keep flammable and/or heavy decorative items on the product.

### 4.1 ALUMINIUM FILTER CLEANING

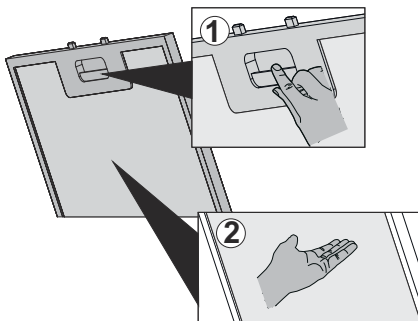


Fig. 7



*Clean the aluminum grease filters periodically every 3 months.*

- Press the aluminum filter tab (1) and pull the aluminum filter to the direction of the arrow (Fig. 7 /1).
- As you remove the aluminum filter, hold it with your other hand to prevent it from dropping (Fig. 7/2).
- As you remove the aluminum filter, in order to prevent the accumulated oil to drip, keep the filter surface parallel to the floor.

### 4.1.1 Washing in Dish-washer

In case of washing in dishwasher, a slight change might occur in colour. This has no effect on the function of the metal grease filter.

- Do not clean too dirty metal grease filters together with utensils in the dishwasher.
- Place the metal grease filters loosely and freely in the dishwasher. Metal grease filters must be placed in the dishwasher without jamming.

### 4.1.2 Hand Wash



*For stubborn dirt, you can use a special grease solvent. You can buy such an agent from the authorized sales centre.*

- *Soften the metal grease filters in a hot water with dish-washing liquid.*
- *Use a brush for cleaning and wait for the liquid in metal grease filters to flow off completely.*
- *Rinse the filters thoroughly after cleaning.*



## 5 APPLIANCE POSITION

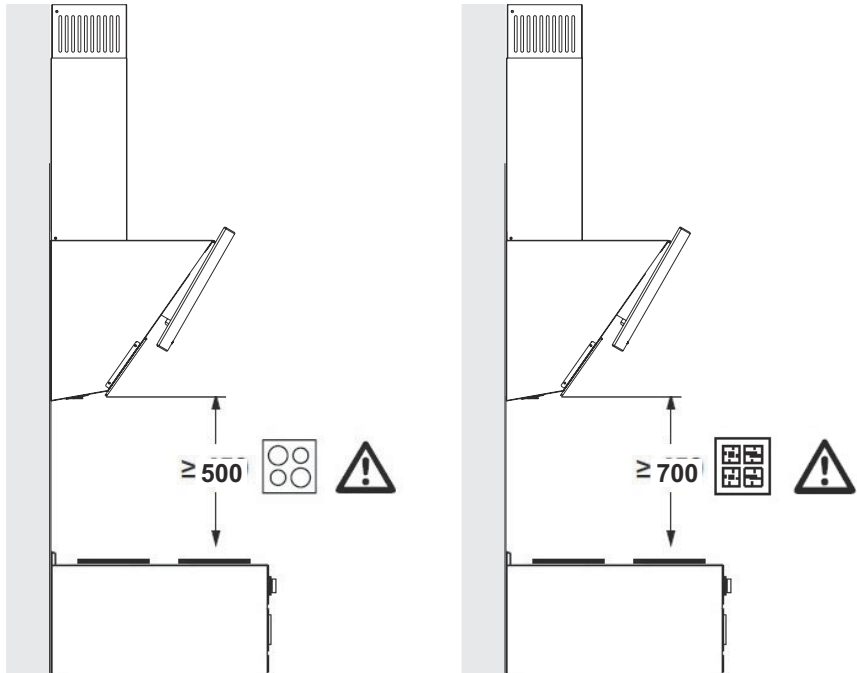


Fig. 8

When the installation of the hood is complete, the distance between the bottom surface of the hood and the top surface of the hob should be at least 500 mm for electric hobs and at least 700 mm for gas or other fuel-fired hobs (Fig. 8).

### 5.1 Installation / Assembly

- Check that your appliance is not deformed.
- Report any transport issues immediately to transport operator.
- Any faults encountered shall be reported to the dealer, too.
- Do not allow children to play with the packaging materials!

### 5.2 Recommendations for Energy Saving

- Replace the carbon filters on a regular basis.
- Regularly clean your aluminium filters. Since dirty filters would block the air passage, you might have to use the appliance at a higher speed.

- Use your product according to its normal speeds.
- Use at higher speed would cause an increase in the energy consumption.

## 6 CONTENT OF PACKAGE

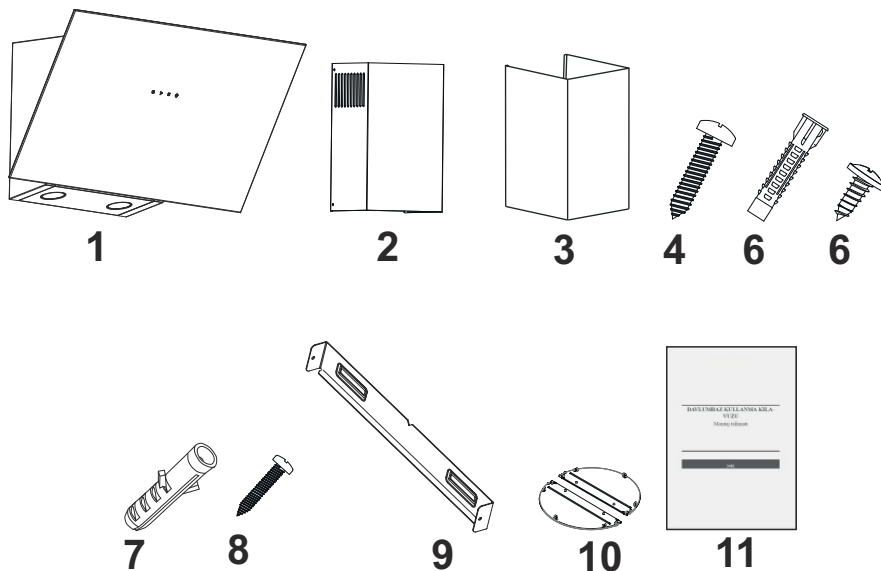


Fig. 9

- |    |                           |     |                                       |
|----|---------------------------|-----|---------------------------------------|
| 1- | Product                   | 7-  | Ø6mm Plastic Dowel                    |
| 2- | Inner Flue                | 8-  | 3.9x22 Flue Connection Plate<br>Screw |
| 3- | Outer Flue                | 9-  | Flue Connection Plate                 |
| 4- | 4.8x50 Wall Mount Screw   | 10- | Flue Flap                             |
| 5- | Ø8mm Plastic Dowel        | 11- | User Manual                           |
| 6- | 3.5x9.5 Sheet Metal Screw |     |                                       |

## 7 OVERVIEW OF hood

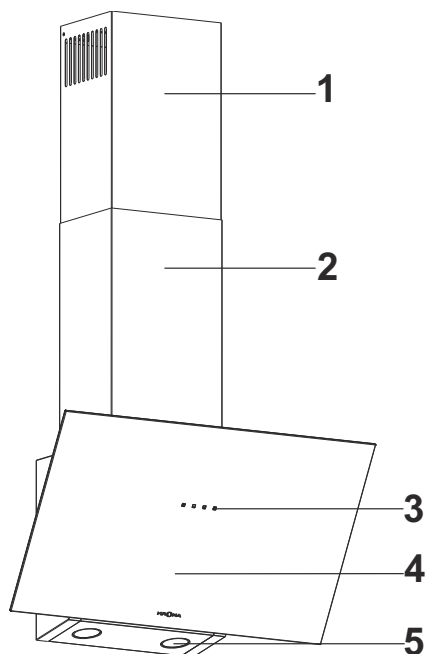


Fig. 10

- 1- Inner Flue
- 2- Outer Flue
- 3- Control Panel
- 4- Side Suction Plate/Glass
- 5- Cooker Lighting

## 8 Installation

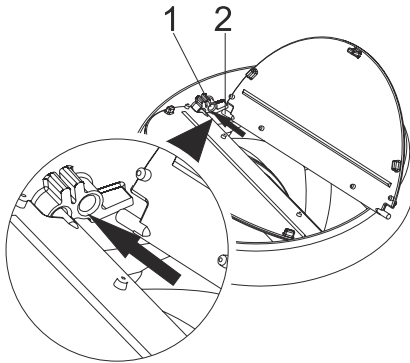


Fig. 11

- 1- Flap Pin Socket  
2- Flap Pin

The device mounting accessories include two hood flaps. Attach these flue flaps to the motor exhaust as seen below

- Insert the plastic pin (area no.2) on the pin socket on the motor exhaust (area no. 1). Fig. 11 (Fig. 11). Then bend the flap lightly to insert the other pin on the flap and insert the other pin to its socket (Fig. 11).

### Checking the Wall

- Wall must be flat, straight and have sufficient bearing capacity.
- Depth of drilling holes must comply with the length of bolts.
- The nuts and dowels provided are suitable for brick walls. For other construction material (e.g. drywall, plate, porous concrete), suitable fixing dowels and nuts shall be used.

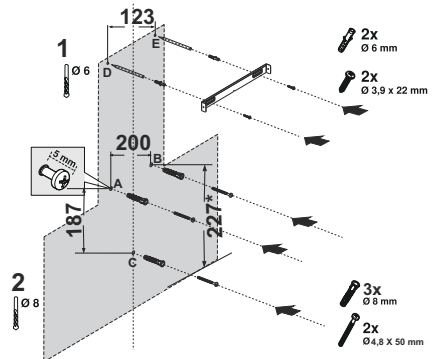


Fig. 12



### DANGER!

Before drilling, ensure that there are no power, gas or water pipes in the close proximity of the drilling locations.

**1.** → Draw a mid location line from the ceiling perpendicular to the lower edge of the hood (Fig. 12).

**2.** → There is a tab in the middle of the flue connection plate. Place the middle point of this tab on the line that is drawn perpendicular to the wall. Align horizontally and mark the holes where the connection plate will be mounted via a pen (Fig. 12/1).

Drill the marked points with Ø6mm drill and insert 2xØ6mm plastic dowels in the drilled holes (Fig. 12/1).

Fix the flue connection plate to the wall with 3,9x22 screws (Fig. 12/1).

**3.** → To drill the suspension holes of the flue, place the mounting template on the surface where the appliance will be mounted on and mark the mounting holes (Fig. 12/b).

**4.** → Drill the suspension holes with Ø8mm drill and place the dowels (Fig. 12/2).

Place 2x48,50 suspension screw with a clearance of 5 mm between the screw head and the wall (Fig. 12/2).

### Device Preparation

- Open the filter cover.
- Remove the metal oil filter.

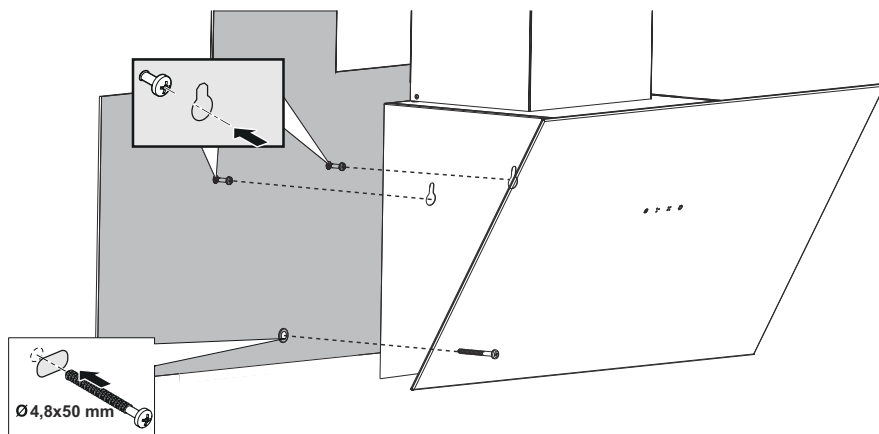


Fig. 13

1. ► Hold the device by its body and attach it to the hanger screws that you have previously screwed into the wall and tighten the hanger screws (Fig. 13).
2. ► Fix the device to the wall with one 4.8x50 screw through the mounting hole on the inside of the device (Fig. 13).
3. ► Install the aluminum grease filter of the device.

If the device will be used without carbon filter, install the air outlet pipe.

## 9 Installing Sheet Metal Flues

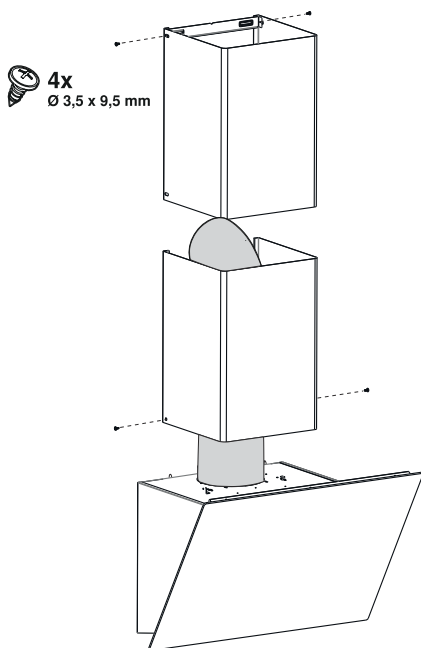


Fig. 14

### Installing the Air Outlet Connection

- Fix one end of the air outlet pipe directly to the air outlet area.
- Fix the other end of the air outlet pipe to the air outlet on the product.
- Insulate the connection points properly.

### Installation of Sheet Metal Flues

- If there is protective foil on the flues, pull it off.
- Screw the flue to the body from the right and left side (Fig. 14).




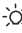





## 10 USE OF PRODUCT

### 10.1 3 Spd Touch Product Usage



Fig. 15: Touch Button

1.  When this button is pressed, product will operate at speed level 1.
2.  When this button is pressed, product will operate at speed level 2.
3.  When this button is pressed, product will operate at speed level 3.
4.  Press this button to turn on or off the lamp.

To activate timer function, press and hold any of buttons ,  and  for 3 seconds. When the timer function is activated the relevant button symbol will flash for 15 mins. Then, 15 minute timer function will be activated and the product will turn off automatically after 15 minutes.



*All active functions operated prior to activation of timer function will be deactivated after 15 minutes.*

*All active functions operated after activation of timer function will be reactivated after 15 minutes.*



*After the activation of timer function, pressing any button will deactivate the timer function.*

# 11 REPLACING THE LAMPS

If the lamp of the device malfunctions, contact your dealer or customer service.

Bulb Power (W)	1.5
Lamp base / Socket	Socket
Bulb Voltage (V)	220 - 240
Size (mm)	46x46mm
Energy Class	G

## 12 Technical Table

Supply Voltage	220-240V~ 50Hz
Insulation Class of Motor	F
Insulation Class	CLASS I



This product complies with the 2014/30/EC (Regulation on Electro-magnetic Compliance) and 2014/35/EC (Regulation on Low Voltage Devices (LVD)) Directives.



This device complies with the Directive on the Control of Waste Electrical and Electronic Equipment.

Specifications of the device and this manual may be modified without prior notification.